

Baumann *Dental*



## WELCOME TO **BAUMANN DENTAL** GMBH

We are delighted to present you with our new catalogue full of great new ideas and useful products! We've placed the priority on clarity, understanding and presentation, in order to give you clear expectations when it comes to quality. Further information, brochures and instructions on many products can also be found in the service section of our website with shop.

[www.baumann-dental.de](http://www.baumann-dental.de)

Of course, nothing can beat personal advice. Our competent team of experts will be happy to take the time to respond to your questions and provide you with detailed information about all our products.

phone +49 7236 - 933 69 0  
We look forward to your call!

## INNOVATION AND PRECISION

Baumann Dental has been operating successfully on the dental market for nearly 30 years. Starting as a small business in 1988, the company has since developed to become an internationally recognised player in the industry.

Repeatedly we were successful in creating developments which are meanwhile used worldwide. Even after 25 years, our Adesso Split magnetic plate system still sets the benchmark for precision in the synchronisation of articulators.

Studying things in detail and simply making products that little bit better than others sums up Baumann Dental: precise and innovative. Again, you will find a host of novelties in our catalogue this year.

We would like to thank you - our customers - for always giving us constructive feedback and thus helping us to develop our products further and improve them continuously.

Always make sure it is an original from Baumann Dental!

With best regards, Management Baumann Dental:  
Karsten Baumann, Gerhard Buchenroth, Wolfgang Dawedeit

### 1988

#### Company foundation

Baumann Dental GmbH was founded by Karsten Baumann in Mühlacker/Enzkreis at the start of 1988.

### 1989

#### Adesso Split® magnetic plate system

The gold standard, both then and now, when it comes to precision and the synchronisation of articulators.

### 1998

#### Modellsystem 2000®

This model system is characterised by its high precision, speed and ease of use.

### 2005

#### Combiflex® model system

The affordable alternative to the Zeiser<sup>4</sup>/ Giroform<sup>1</sup> system. Take a good look!

### 2009

#### Adesso Multisplit® magnetic plate system

The cleverest idea since the development of magnetic plate systems.

### 2011

#### Arto® articulators

Looking for robust and uncomplicated instruments? Then Arto is perfect for you!

### 2015

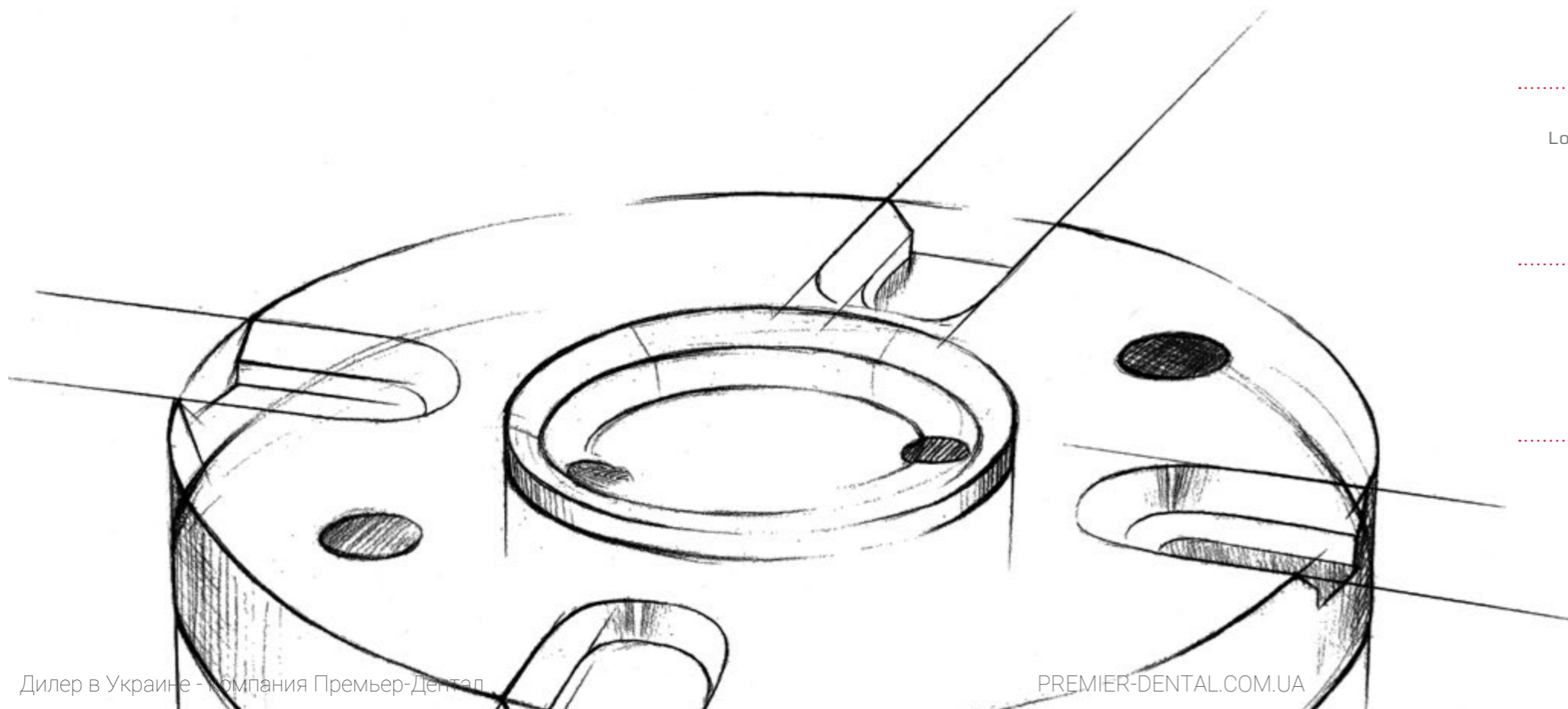
#### Connect mounting plates

Get to know a new kind of model mounting: Absolutely reliable and very economical.

### 2017

#### 3D facebow

The new 3D aesthetic facebow: Not all patients are the same.



**01 / WE WORK FOR YOU**

Welcome to Baumann Dental GmbH .....	5
Important developments at Baumann Dental GmbH .....	7
Table of contents .....	8 - 9

**02 / ARTICULATORS**

The Arto System .....	10 - 11
Arto articulators .....	12 - 19
Articulator accessories & spare parts .....	20 - 21
Articulator extensions .....	22 - 23
Plastering units .....	24 - 25

**03 / REGISTRATION**

Theme image facebow .....	26 - 27
The Arto facebow .....	28 - 29
The 3D aesthetic facebow .....	30 - 31
Transfer accessories .....	32 - 35

**04 / SYNCHRONISATION**

Theme image Adesso Split .....	36 - 37
Adesso Split magnetic plates .....	38 - 40
Adesso Split milling base .....	41
Adesso Split accessories .....	42 - 45
Adesso Split calibration key .....	46 - 49
Theme image Adesso Multisplit .....	50 - 51
Adesso Multisplit magnetic plates .....	52 - 54
Adesso Multisplit milling base .....	55
Splitex <sup>1</sup> plate systems, calibration keys, milling bases & accessories .....	56 - 57
Kavo <sup>3</sup> Split compatible magnetic plate & calibration key .....	58 - 59

**05 / MODEL MOUNTING**

Theme image model mounting .....	60 - 61
Connect mounting plates for Adesso Split, Splitex <sup>1</sup> & Kavo <sup>3</sup> .....	62 - 63
Mounting plates for Adesso Split, Splitex <sup>1</sup> & Kavo <sup>3</sup> .....	64 - 65
Adhesive discs & mounting plates Premium for Adesso Split .....	65 - 67

**06 / PHYSIO-LOGIC ARTICULATOR**

The Physio-Logic articulator according to Rainer Schöttl D.D.S (USA) .....	68 - 71
--	---------

**07 / MODEL FABRICATION**

Theme image model fabrication .....	72 - 73
Modellsystem 2000 .....	74 - 75
Modellsystem 2000 starter set .....	76 - 77
Modellsystem 2000 components & accessories .....	78 - 79
Modellsystem 2000 special cuvette & milling base .....	80 - 81
Duett System .....	82 - 83
Duett System course set & plates .....	84 - 85
Modellsystem 2000 Evo starter set .....	86 - 87
Modellsystem 2000 Evo components & accessories .....	88 - 89
Combiflex plus model system compatible with Giroform <sup>1</sup> .....	90 - 91
Combiflex Premium base plates .....	92 - 93
Combiflex Basic, Splitcast plates, pins & accessories .....	94 - 95
Pin drilling unit, plate holders, impression carriers and pin drills .....	96 - 97
Base plates according to Zeiser <sup>4</sup> & accessories .....	98 - 99
Quadra Base model system .....	100 - 101
Model base former & cuffs .....	102
Xpress pin system & accessories .....	103
Occlusion spray / silicone spray / membrane boxes .....	104
Splitcast items .....	105

**08 / GRINDING EQUIPMENT**

Grinding belts for dry trimmers .....	106
Grinding belt mandrels & grinding belts / tungsten carbide cutters .....	107

**09 / DUPLICATING TECHNOLOGY**

Duplicator .....	108
Basic duplicating cuvette .....	109

**10 / WORKSHOP SERVICE & SPECIAL CONVERSIONS**

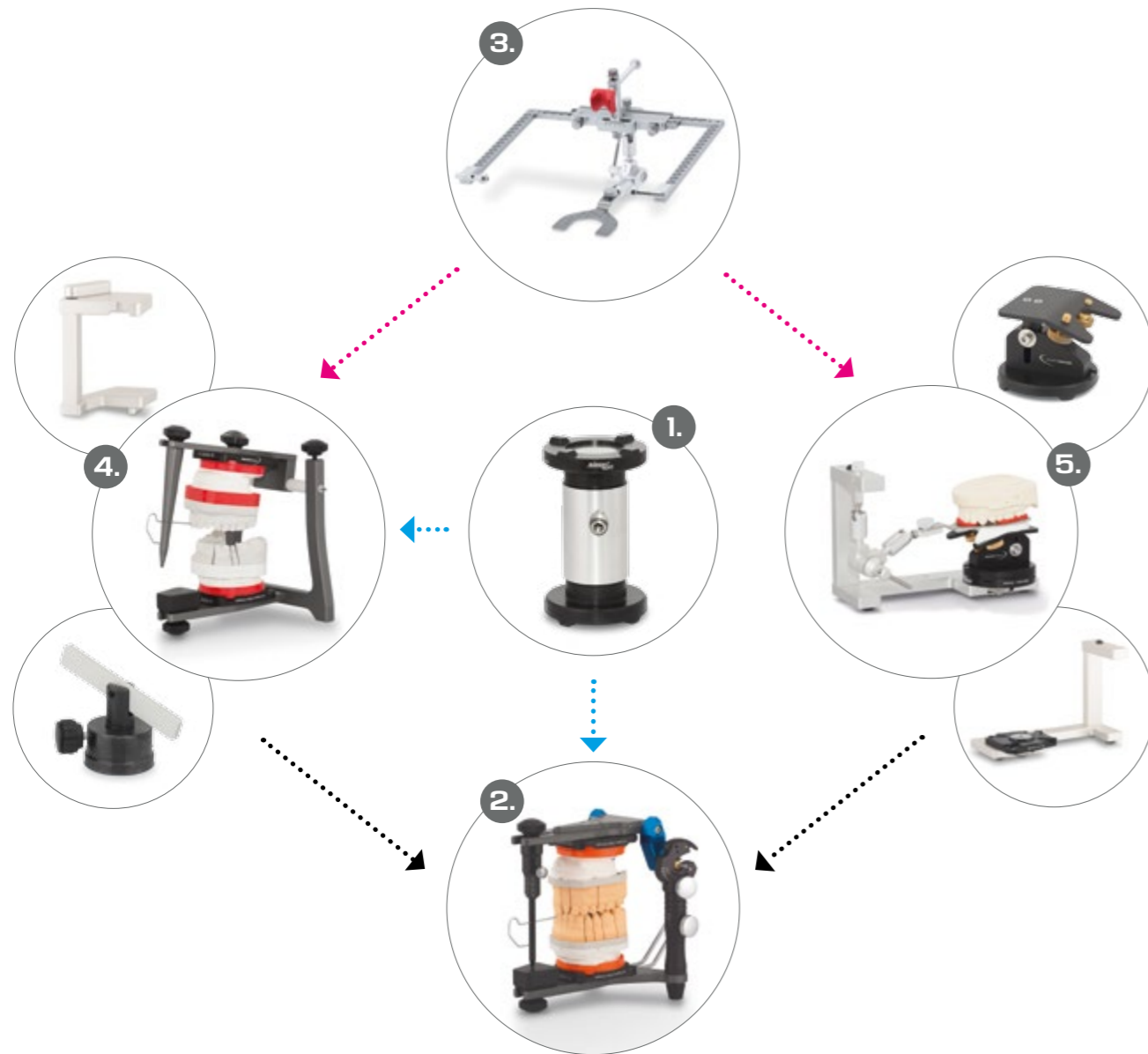
Workshop service & special conversions .....	110 - 111
--	-----------

**11 / SALES & SERVICE / GTCS**

Sales & Service / Legal notices .....	112
General Terms & Conditions of Baumann Dental GmbH .....	113

## THE ARTO® SYSTEM

The entire Arto system is characterised by its versatility. You have the choice between various magnetic plate systems, construction heights and different configurations. Great emphasis was placed on full compatibility with the Artek® system for all components.



**1 //** The heart of the Arto system is the divisible calibration key. The Adesso Split calibration key is an adjustment and test instrument in one. In contrast to single-piece calibration keys, the Adesso Split calibration key can determine even the slightest imprecision easily and quickly. The Adesso Split calibration key even lets you determine defective condyle housings or distorted frames on your articulators with certainty.

**2 //** The proven Arto articulators are available in different configuration levels. Robust all-aluminium construction and the flexible, timeless design make them indestructible working tools and will offer you years of valuable service. There are also plenty of accessories available. All articulators are available in the construction heights 116 mm (Artek®) and 126 mm (Artek® Carbon). The Arto articulator series is fully Artek® compatible.

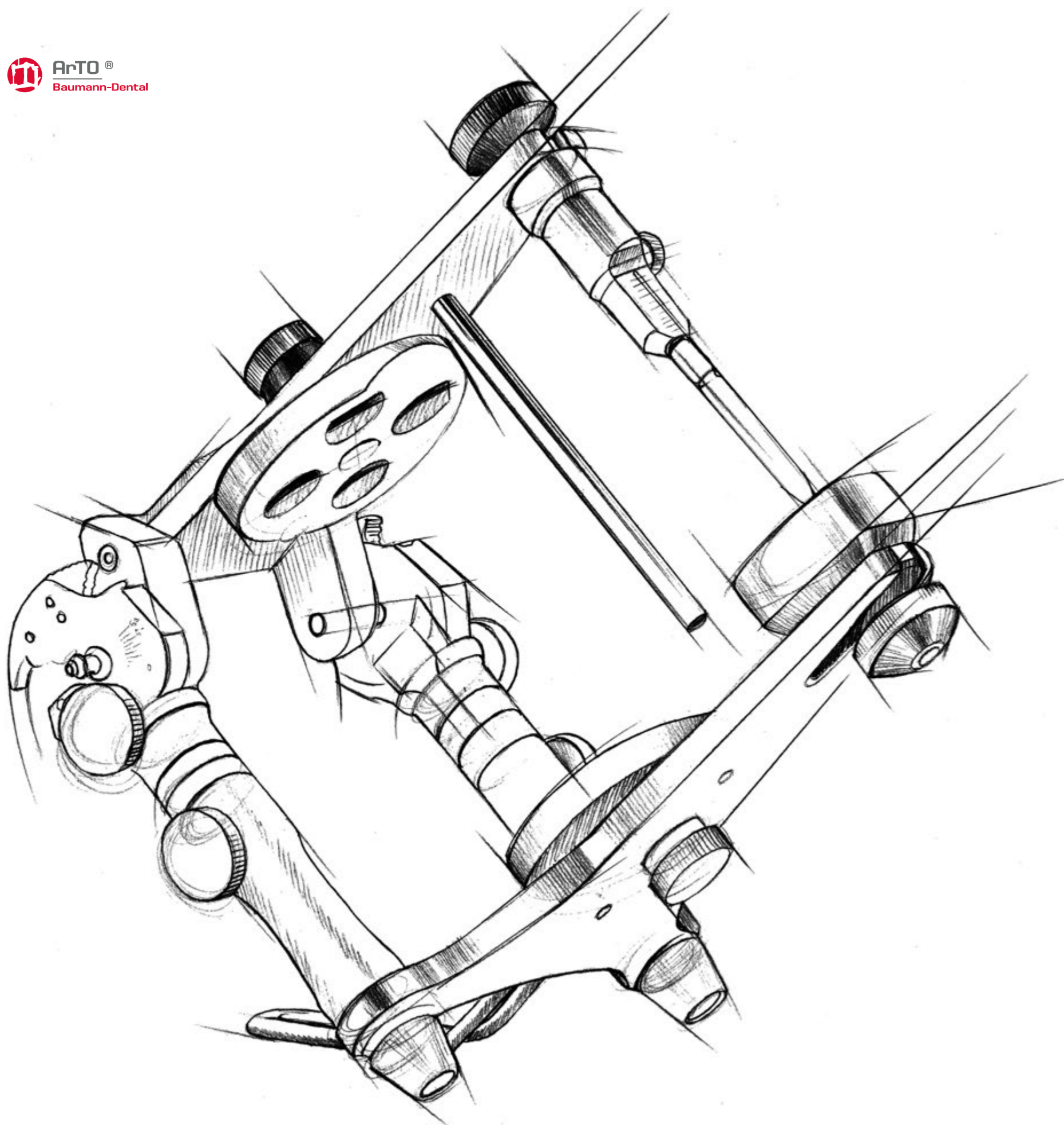
**3 //** The Arto facebow offers ideal preconditions for quick and precise determination of the cranium-axis relationship. Being fully compatible with the Artek® facebow, many of the components can be interchanged. The bite forks are made of long-lasting stainless steel.

**4 //** Facebow registers can be transferred quickly using our indestructible plastering units. The transfer carriages with bite fork support are particularly well suited for fast articulation directly in the dental practice, e.g. all components of the facebow can remain in the practice following registration. The plastering unit offers the benefit of absolutely error-free transfer as it does not allow any protrusion or lateral movement, as well as possessing a securely fixated anterior tooth guide pin.

**5 //** The alternative transfer via transfer stand and transfer table is especially convenient as only the transfer table with the securely mounted bite fork is required in the laboratory. The transfer table is simply placed in the plastering unit or articulator respectively, after which the maxillary model can be fixated without difficulties.



DO YOU HAVE ANY QUESTIONS?  
OUR CONSULTING TECHNICIAN IS  
AT YOUR SERVICE!  
PHONE +49 72 36-933 69 0



## ONE ARTO FOR ALL CASES

The Arto articulator series offers convincing performance at a low price. Following strict classical full aluminium design, these non-Arcon articulators hold all the qualifications to meet your requirements for stability and precision in everyday laboratory routine. Arto articulators are available in construction heights of 116 mm (construction height of the "old" Artex<sup>1</sup>), as well as construction heights of 126 mm (Artex<sup>1</sup> Carbon articulator).

Three different variants of the Arto concept are available, depending on requirements. Ranging from the classical Arto 1 mean value articulator to the partially adjustable Arto 3, you are bound to find the right work model to suit you. The articulators are supplied ex-factory with plastic model plates. To utilise the full flexibility of the articulators, we recommend installation of the Adesso Split or Adesso Multisplit magnetic plate system.

The Arto series was revised in terms of appearance. Enjoy the new ergonomic design. *By the way:* all Arto articulators are fully Artex<sup>1</sup> compatible.

Accurate, robust, economical ...  
Arto from Baumann Dental

## ARTO 1® THE BEGINNER

A classical mean value articulator, robust and durable, with the accustomed precision.

### The features in detail:

- Available in construction heights 116 or 126 mm
- Fully Artex<sup>1</sup> compatible
- Bennett angle (fixed) 12°
- Condylar inclination (fixed) 35°
- Table support 45° (removable)
- Plastic mounting plate (1 pair pre-mounted)

### Suitable for mounting magnetic plate systems:

- Adesso Split set / Artex<sup>1</sup> / Arto / #10000
- Adesso Multisplit set / Artex<sup>1</sup> / Arto / #10200
- SpliteX<sup>1</sup> compatible magnetic plate set / Artex<sup>1</sup> / Arto / #10010

12400 Arto 1, 116 mm / incl. 2 pcs. plastic model plates

12401 Arto 1, 126 mm / incl. 2 pcs. plastic model plates

### MAKE A WISH!

Upon request you will receive an **Adesso Multisplit Junior plate set** free of charge with every new articulator. This plastic plate set is intended for one-off synchronisation in the articulator and must be exchanged for a metal plate set when adjusting your articulator anew. Synchronisation is as usual via adjustment adhesive and calibration key. Adesso Multisplit Junior can accept mounting plates of the Adesso Split or SpliteX<sup>1</sup> types. Don't miss out on this plate set, unfortunately the plates are not available individually.



Illustration depicts: **Arto 1** tilted with a construction height of 116 mm

**NEW!**



**ArTO®**  
Baumann-Dental

DO YOU HAVE ANY QUESTIONS?  
OUR CONSULTING TECHNICIAN IS  
AT YOUR SERVICE!  
PHONE +49 72 36-933 69 0

Illustration depicts:  
**Arto 1** with a construction height of 116 mm



**NEW!**



Illustration depicts: **Arto 2** with a construction height of 116 mm

## ARTO 2® THE ADVANCED VERSION

Our bestseller!  
Fully adequate functions for the majority of dental work.

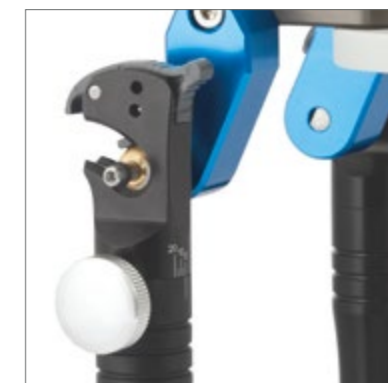
### The features in detail:

- Available in construction heights 116 or 126 mm
- Fully Artek<sup>1</sup> compatible
- Bennett angle (adjustable) 0° to 20°
- Condylar inclination (fixed) 35°
- Table support 45° (removable)
- Plastic mounting plate (1 pair pre-mounted)

### Suitable for mounting magnetic plate systems:

- Adesso Split set - Artek<sup>1</sup> / Arto / #10000
- Adesso Multisplit set - Artek<sup>1</sup> / Arto / #10200
- Splitex<sup>1</sup> compatible magnetic plate set / Artek<sup>1</sup> / Arto / #10010

- |       |  |
|-------|--|
| 12500 | Arto 2, 116 mm / incl. 2 pcs. plastic model plates |
| 12501 | Arto 2, 126 mm / incl. 2 pcs. plastic model plates |



**Arto 2** Bennett angle adjustable from 0°-20°. Non-slip knurled screw allows secure fixation.

### MAKE A WISH!

Upon request you will receive an **Adesso Multisplit Junior plate set** free of charge with every new articulator. This plastic plate set is intended for one-off synchronisation in the articulator and must be exchanged for a metal plate set when adjusting your articulator anew. Synchronisation is as usual via adjustment adhesive and calibration key. Adesso Multisplit Junior can accept mounting plates of the Adesso Split or Splitex<sup>1</sup> types. Don't miss out on this plate set, unfortunately the plates are not available individually.



Illustration depicts: **Arto 2** with a construction height of 126 mm



## ARTO 3® THE PROFESSIONAL

The top model in the Arto series, just as precise and robust as its smaller counterparts, economical in comparison.

### The features in detail:

- Available in construction heights 116 or 126 mm
- Fully Artex<sup>1</sup> compatible
- Bennett angle (adjustable) 0° to 20°
- Condylar inclination (adjustable) -15° to +60°
- Arbitrary pins for direct facebow adaptation
- Table support 45° (removable)
- Plastic mounting plate (1 pair pre-mounted)

### Suitable for mounting magnetic plate systems:

- Adesso Split set - Artex<sup>1</sup> / Arto / #10000
- Adesso Multisplit set - Artex<sup>1</sup> / Arto / #10200
- Splate<sup>1</sup> compatible magnetic plate set - Artex<sup>1</sup> / Arto / #10010

12600	Arto 3, 116 mm / incl. 2 pcs. plastic model plates
12601	Arto 3, 126 mm / incl. 2 pcs. plastic model plates

### MAKE A WISH!

Upon request you will receive an **Adesso Multisplit Junior plate set** free of charge with every new articulator. This plastic plate set is intended for one-off synchronisation in the articulator and must be exchanged for a metal plate set when adjusting your articulator anew. Synchronisation is as usual via adjustment adhesive and calibration key. Adesso Multisplit Junior can accept mounting plates of the Adesso Split or Splate<sup>1</sup> types. Don't miss out on this plate set, unfortunately the plates are not available individually.



*Tip: When directly adapting a facebow to the arbitrary pins of the articulator, the condylar inclination should be set to 60 degrees so that the register is in the correct position. For more comfortable working, we recommend our transfer accessories on pages 96-98.*

- Milled and anodised full aluminium
- Weight under 750 g with mounting plates
- Removable 45° table support
- Available in various construction heights
- Suitable for standard magnetic plate systems
- Precision fit to all functional parts
- Complete spare part part range available



Illustration depicts: **Arto 3** with a construction height of 116 mm



**Arto 3** Condylar inclination adjustable from -15° to +60°. Non-slip knurled screw allows secure fixation



**Arto 3** Bennett angle adjustable from 0° to 20°



**Arto 3** Arbitrary pins for direct facebow adaptation

**Tip:** The illustrated spare parts are in part also suitable for use with Artek<sup>1</sup> articulators. Benefit from our attractive prices for spare parts and save lots of money!



The illustration depicts the **Arto 3** with construction height 126 mm with a **free view anterior guidance pin** for a better overview of prosthetics.

## ARTO® & ARTEK<sup>1</sup> ACCESSORIES & SPARE PARTS

Here you can find the most important spare parts for our Arto articulators. Naturally, you can also get all other spare parts as well - just ask us!

12003	Incisal needle for articulators / without illustration
12110	45° table support for Arto / without illustration
12111	Stabilising pin for Arto / without illustration
12112	Anterior guidance pin for Arto / 116 mm + Artek <sup>1</sup> Carbon
12112-02	Anterior guidance pin incl. holder for Arto / 116 mm
12113	Anterior guidance pin for Arto / 126 mm
12113-02	Anterior guidance pin incl. holder for Arto / 126 mm
12151	Free view guidance pin for Arto 116 mm / Artek <sup>1</sup>
12152	Free view guidance pin for Arto 126 mm / Artek <sup>1</sup> Carbon
12305-01	Anterior guidance plate for Arto 0° / incl. screw
12150	Anterior guidance pin for Artek <sup>1</sup> / 116 mm
12115-97	Half-axis with brass spheres / 2 pcs.
12115-99	Half-axis with polymer spheres / 2 pcs.



Upon request we can fit your Arto articulator with condylar spheres made of a novel polymer which is, among others, used in the aerospace industry. These high-tech condylar spheres are characterised by an unsurpassed freedom of movement. Nonetheless, one can completely dispense with lubrication of the condylar path which is prone to contamination. You will never have experienced smoother laterotrusion!



## ARTO® MODEL PLATE SET

Can be used with Arto, Artist<sup>1</sup> and Artek<sup>1</sup> articulators (not suitable for Artek<sup>1</sup> Carbon)

12000	Model plate set for Arto / Artek <sup>1</sup> / 2 pcs. / without screws
12001	Model plate screw set for Arto / 2 pcs.
12002	Model plate screw set for Artek <sup>1</sup> / 2 pcs.



## ARTICULATOR EXTENSION ARTEX<sup>1</sup> TO ARTEX<sup>1</sup> CARBON FOR MODELS AP / AM / AR / AL / AN (ARCON) & TS / TR (NON-ARCON)

This conversion kit makes it possible to raise older Artex<sup>1</sup> Arcon models to the new construction height of the Artex<sup>1</sup> Carbon articulator without influencing symmetry. Suitable for Artex<sup>1</sup> AP, AL, AR, AN and similar models. Also for use with Artex<sup>1</sup> Non-Arcon models with Immediate side shift function (TS / TR).

15810 Articulator extension for Artex<sup>1</sup> Arcon / AM, AP, AL, AR, AN, TS, TR / 116 to 126 mm



Illustration depicts:  
Articulator extension #15810 used with Artex<sup>1</sup> TS / TR



Illustration depicts:  
Articulator extension #15810 used with Artex<sup>1</sup> Arcon model

## ARTICULATOR EXTENSION ARTEX<sup>1</sup> TO ARTEX<sup>1</sup> CARBON FOR MODELS NK / N / TK AND SIMILAR

This clever heightening modification enables you to bring your old Artex<sup>1</sup> to the construction height of the new Carbon articulator in just a few minutes. Suitable for self-assembly.

15800 Articulator extension for Artex<sup>1</sup> / NK, N, TK / 116 to 126 mm



Illustration depicts: Scope of delivery for extension #15800 for Artex<sup>1</sup>

## OTHER ARTICULATOR EXTENSIONS

Nearly all available extensions are suitable for self-assembly. For Panadent articulators, we offer a conversion service with various options - please just ask us!

15000	Articulator extension for SAM <sup>2</sup> 2 to SAM <sup>2</sup> P / 105 to 121 mm
15100	Articulator extension for Balance / 95 to 116 mm
15200	Articulator extension for Balance / 105 to 116 mm
15300	Articulator extension for Dentatus <sup>7</sup> / 104 to 116 mm
15400	Articulator extension for Dentatus <sup>7</sup> / 104 to 121 mm
15500	Articulator extension for Panadent / various options, upon request!
15600	Articulator extension for Rational / 105 to 116 mm
15700	Articulator extension for SAM <sup>2</sup> 1 to SAM <sup>2</sup> P "old" / 106 to 121 mm
15701	Articulator extension for SAM <sup>2</sup> 1 to SAM <sup>2</sup> P "new" / 106 to 121 mm
15900	Articulator extension for Artex <sup>1</sup> Carbon CN, CT, CP / 126 to 136 mm. Suitable for integration in Artex <sup>1</sup> Carbon non-Arcon models to create more space for model mounting with the Hip-Mount <sup>®</sup> device.

DO YOU HAVE ANY QUESTIONS?  
OUR CONSULTING TECHNICIAN IS  
AT YOUR SERVICE!  
PHONE +49 72 36-933 69 0

## PLASTERING UNIT INCL. ADESSO MULTISPLIT® OR ADESSO SPLIT® MAGNETIC PLATE SYSTEM

Our plastering units are designed without compromises for tough everyday use in laboratories and can still be used reliably for model assembly after many, many years.

Only few moving parts, a very precisely manufactured axis and a special coating all add up to making these devices extremely durable. Delivery inclusive of Adesso Split or Adesso Multisplit Baumann Dental magnetic plate system.

12100-01	Plastering unit for Arto 116 mm / Artek <sup>1</sup> incl. Adesso Split
12100-02	Plastering unit for Arto 126 mm / Artek <sup>1</sup> Carbon incl. Adesso Split
12100-07	Plastering unit for SAM <sup>2</sup> 2P/3 incl. Adesso Split
12200-01	Plastering unit for Arto 116 mm / Artek <sup>1</sup> incl. Adesso Multisplit
12200-02	Plastering unit for Arto 126 mm / Artek <sup>1</sup> Carbon incl. Adesso Multisplit
12200-07	Plastering unit for SAM <sup>2</sup> 2P/3 incl. Adesso Multisplit
12010	Plaster protection plate / 1 pc.
12201-01	Incisal pin incl. screw for plastering unit 116 mm
12201-02	Incisal pin incl. screw for plastering unit 126 mm

All plastering units are supplied incl. 2 plaster protection plates #12010.



When using Adesso Split mounting plates on Adesso Multisplit, we recommend using the supplied **plaster protection plates** to avoid contamination of the valuable magnetic plates.

The integrated **3-point support** allows safe and reliable overhead mounting of the models.

The new **Stabilising pin** with clever bajonet-lock is released easily with a quarter turn.



Deactivatable, encapsulated neodymium magnet to remove mounted models easily.

This screw allows fixing the top part of the plastering unit in any desired position.



Arbitrary pins for direct adaptation of a face-bow. The pins lie anatomically correct central in the hinge axis.

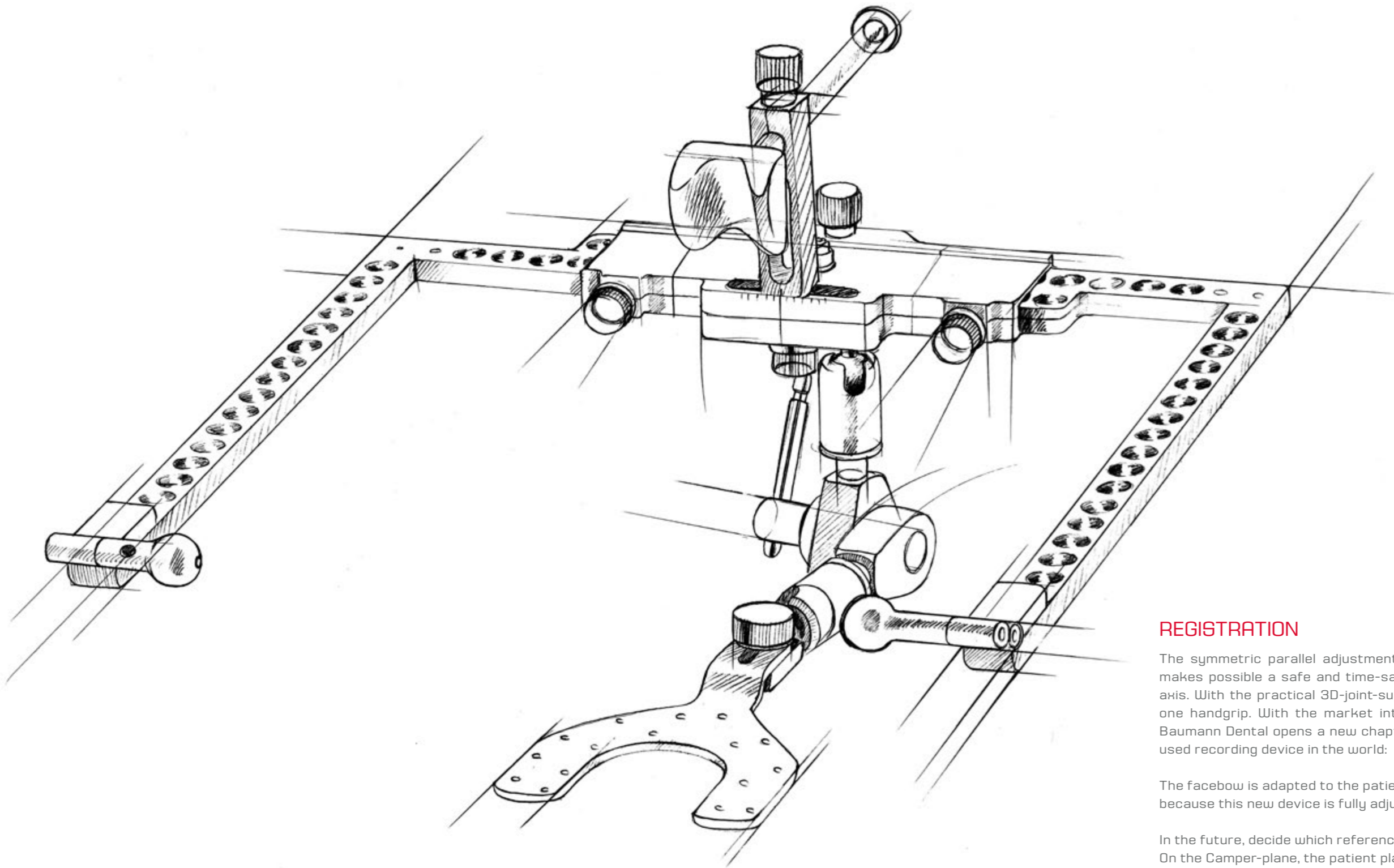


Non-slip knurled screws allow secure fixation of all relevant parts of the plastering unit.

Delivery optionally with Adesso Split or Adesso Multisplit magnetic plate system incl. support pin.

The new ergonomic design makes handling of the plastering unit considerably more comfortable.





## REGISTRATION

The symmetric parallel adjustment of our tried and tested Arto facebows makes possible a safe and time-saving determination of the arbitrary hinge axis. With the practical 3D-joint-support, the registrations can be fixed with one handgrip. With the market introduction of the 3D-Aesthetic-Facebow Baumann Dental opens a new chapter in the development of the most widely used recording device in the world:

The facebow is adapted to the patient and not the patient to the facebow, because this new device is fully adjustable ...

In the future, decide which reference level you want to register:  
On the Camper-plane, the patient plane or the Frankfurt horizontal plane.

**ARTO® FACEBOW** WITH SYMMETRICAL PARALLEL ADJUSTMENT, COMPATIBLE WITH THE ARTEX<sup>1</sup> SYSTEM.



# 71200

#### Your benefits:

- Accustomed handling
- Time-saving in use
- 3D joint support, can be fixated in one easy step
- Excellent reproducibility of the "arbitrary hinge axis" through optimal anatomical design
- Grinding times can be reduced considerably when taking the "arbitrary hinge axis" into account
- Fully compatible with the components of the Artex<sup>1</sup> series

## THE ARTO® FACEBOW

The practical Arto facebow allows safe and time-saving determination of the arbitrary hinge axis. The experience made over decades has confirmed that model assembly in the articulator via facebow can reduce grinding times considerably when integrating dentures.

Furthermore, the correct positional relationship of the arbitrary axis to the maxilla is of functional diagnostic relevance.

Facebow	
71200	Facebow complete (facebow, joint support, glabella support, bite fork 2 pcs.)
Facebow accessories	
71004	Earpieces (2 pcs.) not illustrated
71005	Earpiece long (2 pcs.)
71006	Axis pin (2 pcs.)
71202	Glabella support complete
71001	Nasion adapter
71110	Joint support complete
71007	Bite fork stainless steel asymmetrical (2 pcs.)
71007-02	Bite fork stainless steel asymmetrical (2 pcs.)
71007-03	Tray grip stainless steel (2 pcs.)



# 71110

# 71005

# 71007-03

# 71202

# 71007-02

# 71007

**NEW!**

## THE 3D AESTHETIC FACEBOW ACCORDING TO DMT WALTER BÖTHEL & DR. MED. HABIL. VOLKER ULRICI

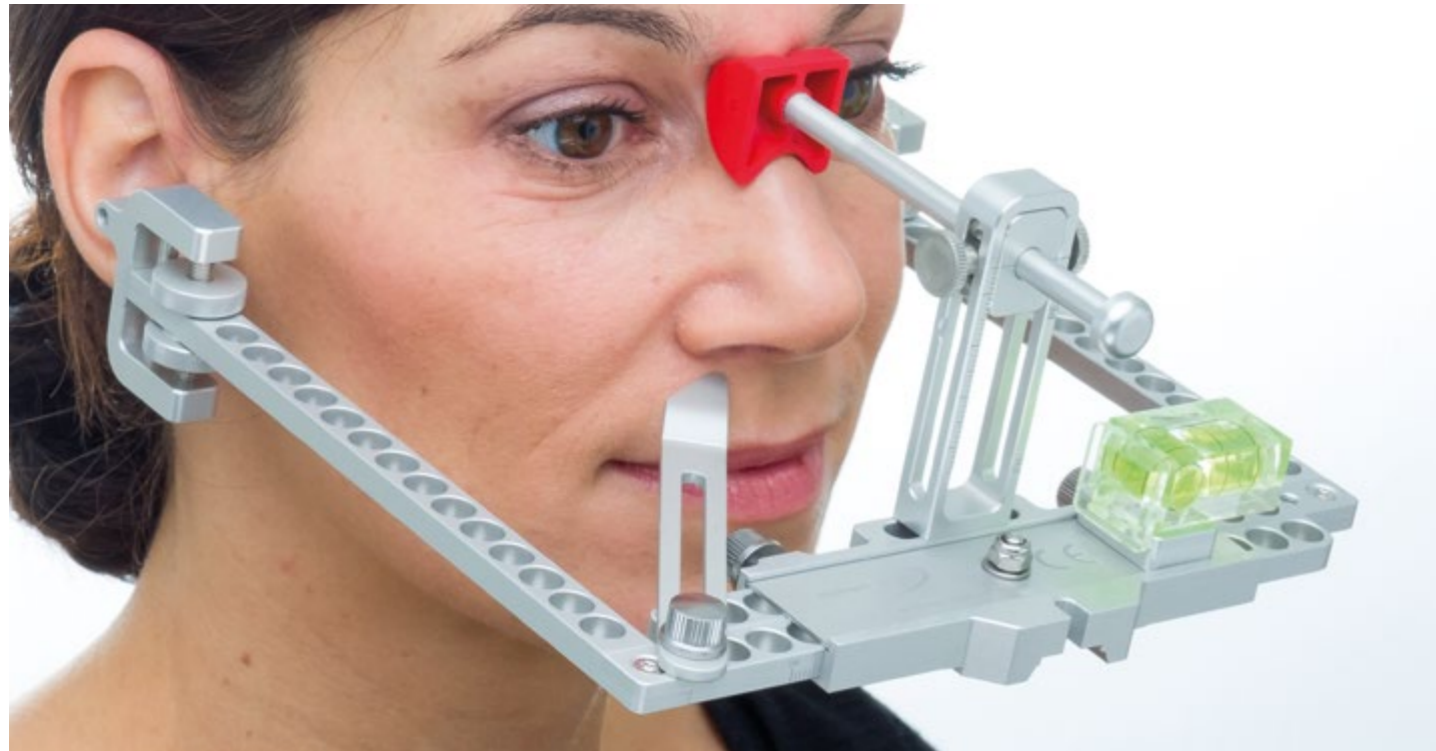
The fixation of a standard facebow over the auditory canals requires these to run transversally and have a symmetric shape and alignment on the cranium. Recent anatomical studies have in part shown considerable deviations in cranial symmetry. The 3D aesthetic facebow is fitted with independently height-adjustable earpieces. The transversal plane can be harmonised via the bipupillary plane.

Support of the bow via the glabella is also problematic, as a standard facebow is based on a symmetrical mean value of the cranium. If the patient differs from the standard, this can lead to a falsification of the reference plane to be registered or the central sagittal plane.

In order to compensate for such circumstances, the 3D aesthetic facebow offers additional adjustment options. Next to the transversal adjustment option of the glabella support, this can also be height-adjusted.

In conjunction with recording the classical reference points on the facial cranium, height adjustment makes a precise determination of the reference plane to be registered possible. Depending on the indication, this allows precise determination and registration of the reference plane necessary in each case. The infinitely adjustable range permits various adaptations and covers the range from Camper's plane to the Frankfurt horizontal.

*The 3D aesthetic facebow aligned according to Camper's plane.  
The plane indicator points to the spina nasalis anterior.*



*The 3D aesthetic facebow set up for the Frankfurt horizontal reference plane. The plane indicator points to the infra-orbital point.*



*The 3D aesthetic facebow is fitted with independently adjustable earpieces to compensate for asymmetries in the region of the auditory canals.*



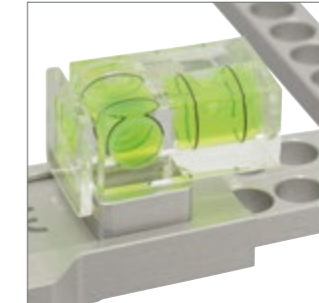
*Depending on the indication, the adjustable glabella support allows the registration of various reference planes, from Camper's plane via the patient plane to the Frankfurt horizontal.*

3D aesthetic facebow	
71300	Facebow complete (facebow, joint support, glabella support, bite fork 2 pcs.)

3D aesthetic facebow accessories	
71004	Earpieces (2 pcs.)
71005	Earpiece long (2 pcs.)
71302	Glabella support complete, adjustable, for 3D aesthetic facebow
71001	Nasion adapter
71110	Joint support complete
71007	Bite fork stainless steel (2 pcs.)
71007-02	Bite fork stainless steel asymmetrical (2 pcs.)
71007-03	Tray grip stainless steel (2 pcs.)



*The transversal adjustment device allows alignment in the sagittal median plane.*



*The correct horizontal alignment of the bow can be checked using a spirit level.*

In September 1915, when George B. Snow was granted the American patent with the number 1,154,942 for the Dental Facebow, he probably had little idea that he had laid the foundation for the most successful dental registration device of all times. The device was improved continuously over the following decades. However, the original design was never changed fundamentally, not even 100 years after its invention.

The need to adapt the facebow better to patients rather than vice versa, required new technical solutions. A task, which was implemented in a practice-oriented manner by DMT Walter Böthel and Dr. med. habil. Volker Ulrici together with the development team at Baumann Dental.



*"With respect for the great masters in dentistry, DMT Walter Böthel and Dr. med. habil. Volker Ulrici developed the classical facebow further. The original design remained unchanged."*

## TRANSFER ACCESSORIES TRANSFER STANDS & TRANSFER CARRIAGES



Illustration depicts: **Adesso Multisplit transfer stand #10250** with transfer table #10048 and mounted joint support

### TRANSFER STAND UNIVERSAL

For transferring the correct position of the Artek<sup>1</sup> facebow registration to an Arto, Artek<sup>1</sup>, Carbon or SAM<sup>2</sup> articulator (in conjunction with adapter plate for SAM<sup>2</sup> #10046). For retrofitting with a screwable base plate or for use without base plate, e.g. for a screwable transfer table.

10049 Transfer stand Universal

### ADESSO SPLIT<sup>®</sup> TRANSFER STAND

For transferring the correct position of the Artek<sup>1</sup> facebow registration to an Arto, Artek<sup>1</sup> or Carbon articulator. incl. Adesso Split base plate, for use with our Adesso Split transfer table (#10048-10).

10050 Adesso Split transfer stand

### ADESSO MULTISPLIT<sup>®</sup> TRANSFER STAND

For transferring the correct position of the Artek<sup>1</sup> facebow registration to an Arto, Artek<sup>1</sup> or Carbon articulator. incl. Adesso Multisplit base plate, for use with our Adesso Split transfer table (#10048-10) or the transfer table with Splitex<sup>1</sup> profile (#10048-20).

10250 Adesso Multisplit transfer stand

### SPLITEK<sup>1</sup> TRANSFER STAND

For transferring the correct position of the Artek<sup>1</sup> facebow registration to an Arto, Artek<sup>1</sup> or Carbon articulator incl. Splitex<sup>1</sup> base plate, for use with our Splitex<sup>1</sup> transfer table. (#10048-20)

10250 Splitex<sup>1</sup> transfer stand



### TRANSFER CARRIAGE FOR ARTEK<sup>1</sup> & ARTO FACEBOW REGISTRATIONS

The design allows direct transfer of the registration in the articulator without having to go via a transfer stand. With its swivelling incisal plate support, the transfer carriage can be used both for the Arto articulators 116 & 126 mm, as well as the Artek<sup>1</sup> and Artek<sup>1</sup> Carbon articulators.

10047 Transfer carriage

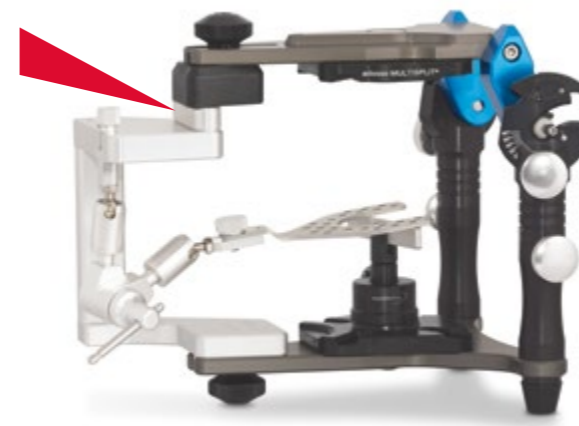


Illustration depicts the transfer carriage #10047 in the Arto articulator with 126 mm construction height. The **incisal plate support** is swivelled underneath the incisal plate. For a construction height of 116 mm, the **incisal plate support** is swivelled to the side.

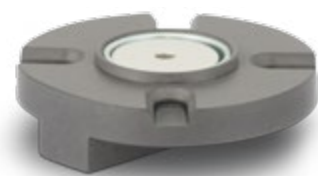


## TRANSFER ACCESSORIES

Various Adesso Split adapters for transfer stands, positive plates, transfer tables and other accessories can be found here.

- 10018 Adesso Split adapter for Reference transfer stand**  
 For simplified model transfer between Reference and Artek<sup>1</sup> system. Adjustment is performed in your Reference articulator, the adjusted adapter is then placed in the Reference AB transfer stand.
- 10043 Adesso Split positive plate**  
 Suitable for retrofitting a transfer table
- 10012 Splitex<sup>1</sup> compatible positive plate (see transfer table 10048-20)**  
 Suitable for retrofitting a transfer table
- 10048-10 Adesso Split transfer table for transfer stand**  
 For fixation of a facebow register in the articulator or transfer stand. Suitable for all articulators, transfer stands and carriages fitted with Adesso Split or Adesso Multisplit.
- 10046 Adesso Split adapter for transfer stand SAM<sup>2</sup> with Artek<sup>1</sup> / Arto facebow**  
 for use with our Universal transfer stand (#10049) for transferring the correct position of the Artek<sup>1</sup> facebow register to a SAM<sup>2</sup> articulator.
- 10051 Bite fork support**  
 Infinitely height adjustable for supporting a facebow register in the articulator or plastering unit. The magnetic lower section of the bite fork support allows it to fixate itself to all conventional magnetic plate systems.
- 10048-20 Splitex<sup>1</sup> transfer table for transfer stand**  
 For fixation of a facebow register in the articulator or transfer stand. Suitable for all articulators, transfer stands and carriages fitted with Splitex<sup>1</sup> or Adesso Multisplit.

# 10046



# 10018



# 10043



# 10048



# 10048-20



# 10051





## ADESSO SPLIT® THE ORIGINAL - THE CLASSIC AMONG MAGNETIC PLATE SYSTEMS

Same as 25 years ago, the Adesso Split system is still today's benchmark in terms of precision and repeatability. The sophisticated design provides contact to the mounting plate exclusively via the conically arranged contact surfaces. The mounting plate is centred automatically when placed. The Adesso Split System offers consistent synchronisation of various types of articulators and thus saves time and money in daily lab routines. The models can simply be removed and placed in another synchronised articulator without any loss of precision. The large variety of available symmetries and important accessories will also provide the right solution for your articulator.



*Only the conically shaped guide elements provide contact between the Adesso Split base and mounting plate, the model base centres perfectly. Contamination of the mounting plate does not interfere with the fit.*

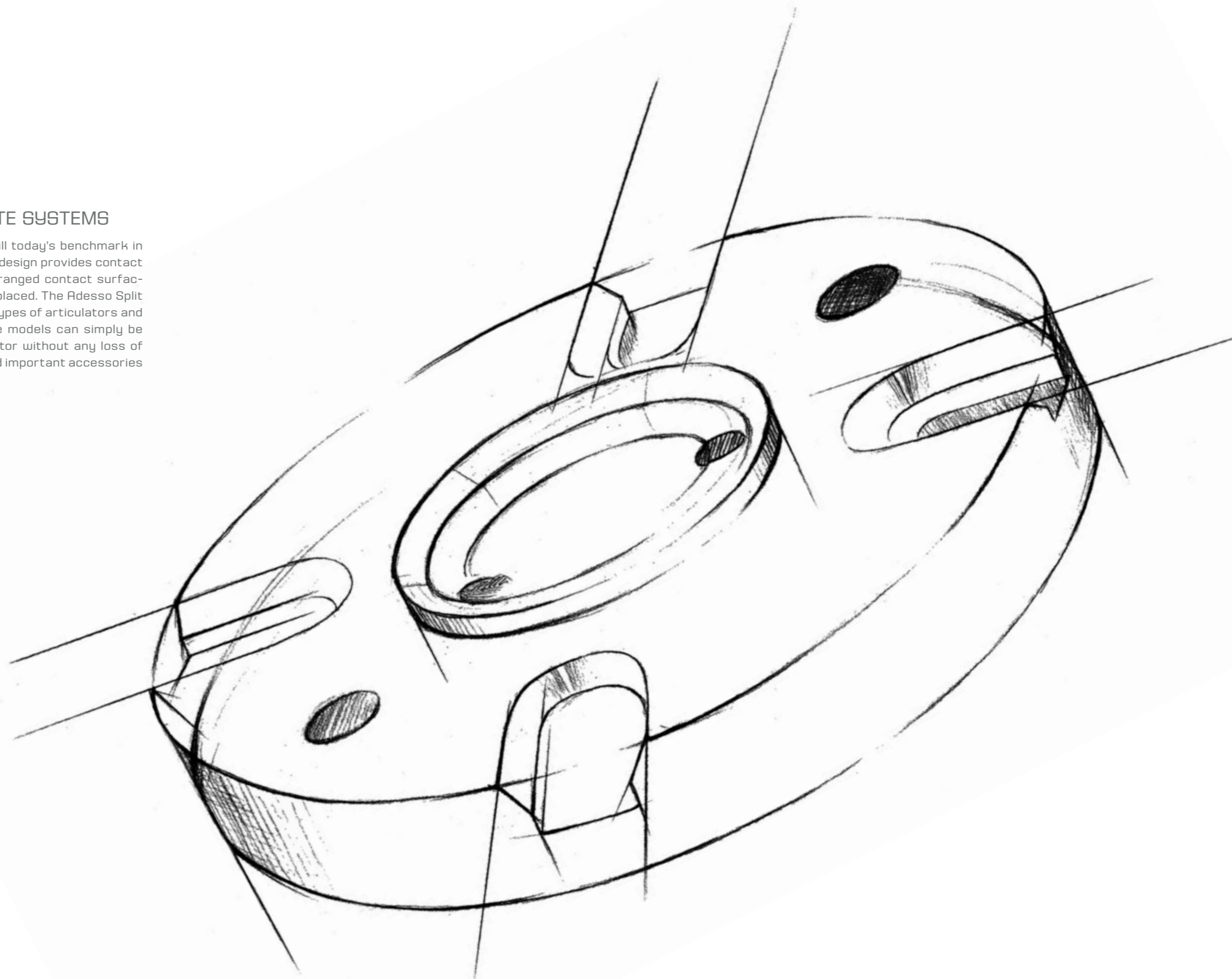




Illustration depicts scope of delivery  
Adesso Split set Artex<sup>1</sup> Carbon #10000-C

## ADESSO SPLIT<sup>®</sup> BASE PLATE

Mounted in the upper section of the articulator, the plate is screwed in. Supplied without magnet #10020.

10000-10	Adesso Split base plate / Artex <sup>1</sup> / Arto
10000-C-10	Adesso Split base plate / Artex <sup>1</sup> Carbon
10001-10	Adesso Split base plate / Balance
10002-10	Adesso Split base plate / Denar
10003-10	Adesso Split base plate / Dentatus <sup>7</sup>
10004-10	Adesso Split base plate / Kavo Protar <sup>3</sup>
10005-10	Adesso Split base plate / Panadent
10007-10	Adesso Split base plate / SAM <sup>2</sup>
10008-10	Adesso Split base plate / Stratos
10009-10	Adesso Split base plate / Kavo Protar <sup>3</sup> Evo
10015-10	Adesso Split base plate / SAM <sup>2</sup> = Artex <sup>1</sup>
10017-10	Adesso Split base plate / Reference SL
10064	Adesso Split base plate +10 mm / Artex <sup>1</sup> Carbon 126 to 116 mm
101010-10	Adesso Split base plate / Dentalhoby / without magnet
10020	<b>Adesso Split Magnet / not illustrated / bulk prices!</b> For use with Adesso Split, Adesso Multisplit plates and other magnetic plate systems, e.g. Splitex <sup>1</sup> or Quicksplit <sup>6</sup> .

## ADESSO SPLIT<sup>®</sup> SYSTEMS

All available systems are supplied inclusive of magnetic plates #10020. Exception: the systems for the Carbon articulators of AmannGirrbach do not include magnets, as these are already supplied with the articulator.

10000	Adesso Split set / Artex <sup>1</sup> , Arto
10000-C	Adesso Split set / Artex <sup>1</sup> , Carbon / 126 mm / <b>without magnets</b>
10000-CD	Adesso Split set / Artex <sup>1</sup> Carbon / 116 mm / <b>without magnets</b> / brings the Artex <sup>1</sup> Carbon to the "old" Artex <sup>1</sup> construction height 116 mm
10001	Adesso Split set / Balance
10002	Adesso Split set / Denar
10003	Adesso Split set / Dentatus <sup>7</sup>
10004	Adesso Split set / Kavo Protar <sup>3</sup>
10005	Adesso Split set / Panadent
10007	Adesso Split set / SAM <sup>2</sup>
10008	Adesso Split set / Stratos
10009	Adesso Split set / Kavo Protar <sup>3</sup> Evo
10015	Adesso Split set / SAM <sup>2</sup> = Artex <sup>1</sup> / brings the SAM <sup>2</sup> to the symmetry of the Artex <sup>1</sup> construction height 116 mm
10017	Adesso Split set / Reference SL
101010	Adesso Split set / Dentalhoby



**Tip for your order:** our magnetic plate systems are generally designed for the synchronisation of articulators. You will always receive a base plate with thread (for screwing to the upper section of the articulator) as well as an adjusting base plate without thread (for bonding with adhesive and calibration key for the lower section of the articulator). If you do not want to synchronise and just want to use the superior Splitcast properties of Adesso Split or our other magnetic plate systems, simply use a base plate for screwing at the top and bottom of the articulator. All base plates that can be screwed in place have the identifier '-10' at the end of the item number. As individual base plates are always supplied without magnets, you will also need a magnetic plate #10020 for each one. Please note on ordering.

DO YOU HAVE ANY QUESTIONS?  
OUR CONSULTING TECHNICIAN IS  
AT YOUR SERVICE!  
PHONE +49 72 36-933 69 0



Illustration depicts:

Adesso Split adjusting base plate  
#10000-11 in Arto articulator

## ADESSO SPLIT® ADJUSTING BASE PLATE

Mounting takes place in the lower part of the articulator; the plate is adhered in place. Supplied without magnet #10020.

10000-11	Adesso Split adjusting base plate / Artek <sup>1</sup> , Arto
10000-C-11	Adesso Split adjusting base plate / Artek <sup>1</sup> , Carbon
10001-11	Adesso Split adjusting base plate / Balance
10002-11	Adesso Split adjusting base plate / Denar
10003-11	Adesso Split adjusting base plate / Dentatus <sup>7</sup>
10005-11	Adesso Split adjusting base plate / Panadent
10007-11	Adesso Split adjusting base plate / SAM <sup>2</sup>
10008-11	Adesso Split adjusting base plate / Stratos
10009-11	Adesso Split adjusting base plate / Kavo Protar <sup>3</sup> / Protar <sup>3</sup> Evo
10015-11	Adesso Split adjusting base plate / SAM <sup>2</sup> = Artek <sup>1</sup>
10017-11	Adesso Split adjusting base plate / Reference SL Poss. required adapter plate #10017-12
101010-11	Adesso Split adjusting base plate / Dentalhoby
10020	<b>Adesso Split magnet / not illustrated / bulk prices!</b> For use with Adesso Split, Adesso Multisplit plates and other magnetic plate systems, e.g. Splitex <sup>1</sup> or Quicksplit <sup>9</sup> .

## THE NEWLY DESIGNED MILLING BASE IN THE ADESSO SPLIT® VARIANT

You will be truly fascinated by the unique friction screw! The spherical head can be swivelled through 90° and can be set flexibly or permanently in just a few steps. This way you will never lose your insertion direction when loosening the locking mechanism of the milling base.

This also considerably facilitates the fixation of finished wax parts. Or do you prefer absolutely smoothly adjustable angles? Not a problem with the new friction screw. The large magnetic pedestal lends stability to the milling base.

### The features in detail:

- Plate can be rotated through 90°
- Adesso Split magnetic plate
- Quick locking mechanism
- Friction screw
- Magnetic pedestal

The milling base is available for all magnetic-plate-systems.

10039-11	Adesso Split milling base
10041	Adesso Split milling plate with extra wide edge for more security when clamping / incl. magnet



Illustration depicts:  
Milling base with Adesso Split



18105-02



# 11030



# 10020



# 10021



# 11001



# 11006



## ADESSO SPLIT® ACCESSORIES

Important accessories for magnetic plate systems.

10021	<b>Adesso Split magnet lifter</b> for damage-free removal and placement of magnet #10020
11030	<b>Adesso Split® adjustment adhesive</b> / 2-component adhesive to affix the adjusting base plate to the lower section of the articulator. The special formula guarantees the greatest possible freedom from shrinkage and excellent resistance to ageing.
11001_M6	Adesso Split special screw for SAM <sup>1</sup> / Kavo <sup>3</sup>
11001-OK	Adesso Split special screw for Artek <sup>1</sup> / Arto / maxilla
11001-UK	Adesso Split special screw for mandible Artek <sup>1</sup> & Physio-Logic
11006	<b>Adesso Split screw locking device for SAM<sup>2</sup></b> Protects the screw connection to articulators against access by unauthorised users. Scope of delivery: screw locking device and Allen key.
11006 / Balance	<b>Adesso Split screw locking device for Balance</b> Protects the screw connection to articulators against access by unauthorised users. Scope of delivery: screw locking device and Allen key.
10020	<b>Adesso Split magnet / bulk prices!</b> For use with Adesso Split, Adesso Multisplit plates and other magnetic plate systems, e.g. Splitex <sup>1</sup> or Quicksplit <sup>®</sup> .
18105-02	Countersunk screw for Arto / Models as of May 2016

## ADESSO SPLIT® ACCESSORIES

Special plates and accessories for Adesso Split and other accessories can be found in the transfer equipment section.

10043	Adesso Split positive plate / suitable for retrofitting a transfer table
11008	Adesso Split set up template carrier for Artek <sup>1</sup> / Arto 116 mm
11008-C	Adesso Split set up template carrier for Artek <sup>1</sup> Carbon / Arto 126 mm (not illustrated)
10065	Adesso Split spacer plate 10 mm / Artek <sup>1</sup> Carbon
10064	Adesso Split base plate +10 mm / Artek <sup>1</sup> Carbon to reduce the Carbon articulator to construction height 116 mm
11007-10	Set up template R100 / acrylic glass with guide lines
11007-11	Set up template R140 / acrylic glass with guide lines

# 10043



# 10064



Illustration depicts: Arto 2 with a set up by K. H. Körholz using the angled 140R set up template as well as set up template carrier.



The proven **Baumann Dental set up template carriers** are now not only available for the classical articulator height 116mm or the new Carbon construction height 126mm, but also with the option of Adesso Split or Splitex<sup>1</sup> compatible base plates.

Our **new set up templates** are made of high quality, clear acrylic glass and available in flat (R100 #11007-10) or 23°-angled (R140 #11007-11) designs. Crystal clear and fitted with posterior teeth and centre lines, they let you keep an eye on your set up at all times.



## ADESSO SPLIT® MATRIX

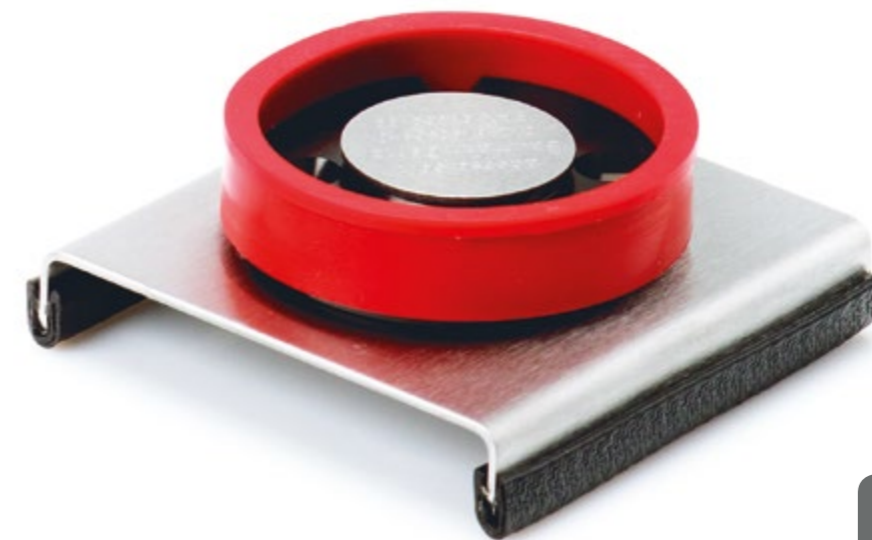
To produce secondary plates from plaster or plastic. To maintain the matrices and for insulation, we recommend our silicone care spray #11009.

10040	Adesso Split matrix single mould / incl. cuff
10045	Adesso Split matrix triple mould / incl. cuffs
11002	Adesso Split cuff for matrix / red
11009	Adesso Split silicone care and insulation spray / 400 ml



*Tip: Never allow the matrix surface to come into contact with plaster solvent as the surface is destroyed by plaster solvent!*

*Our silicone spray is perfectly suited to caring for your valuable articulators, magnetic plate systems, etc. It is also suitable for insulating your Adesso Split matrices.*



DO YOU HAVE ANY QUESTIONS?  
OUR CONSULTING TECHNICIAN IS  
AT YOUR SERVICE!  
PHONE +49 72 36-933 69 0



## SYNCHRONISATION CALIBRATION KEY

### PERFECT WORKING CONDITIONS IN YOUR ARTICULATOR WITH ADESSO SPLIT®

The Adesso Split calibration key is an adjustment and test instrument in one. The patented design allows splitting of the key into two parts for test purposes. In contrast to single-piece calibration keys, the Adesso Split calibration key can determine even the slightest imprecision easily and quickly. The Adesso Split calibration key even lets you determine defective condyle housings or distorted frames on your articulators immediately and with certainty.

In tough everyday lab routines you need a reliable and precise magnetic plate system for the synchronisation of your articulators! Adesso Split magnetic plate systems and the matching calibration keys are available for virtually all established articulators. Adesso Split not only enables the calibration between articulators of identical design, but under circumstances also the synchronisation between different articulators, as shown in the illustration on the right. You possess articulators from different manufacturers and are not sure whether synchronisation between them is possible?

DO YOU HAVE ANY QUESTIONS?  
OUR CONSULTING TECHNICIAN IS  
AT YOUR SERVICE!  
PHONE +49 72 36-933 69 0



ARTO®  
Baumann Dental

CARBON  
AmannGirrbach

SAM<sup>2</sup> 2P/3  
SAM<sup>2</sup>

ARTEX<sup>1</sup>  
AmannGirrbach

STRATOS  
Ivoclar Vivadent



Illustration depicts:  
Adesso Split calibration key  
116 mm construction height  
for Artex, Stratos, Arto

IS SYNCHRONISATION STILL INTACT?  
THE **ADESSO SPLIT® CALIBRATION KEY**  
PROVIDES YOU WITH THE ANSWER.



With the split **Adesso Split calibration key** a defect on the articulator or an error in synchronisation can immediately be detected with ease.

The **Adesso Split calibration key** is an adjustment and test instrument in one. The patented design allows splitting of the key into two parts for test purposes. In contrast to single-piece calibration keys, the Adesso Split calibration key can determine even the slightest imprecision easily and quickly. The Adesso Split calibration key even lets you detect defective condyle housings or distorted frames on your articulators with certainty.



DO YOU HAVE ANY QUESTIONS?  
OUR CONSULTING TECHNICIAN IS  
AT YOUR SERVICE!  
PHONE +49 72 36-933 690

## ADESSO SPLIT® CALIBRATION KEY

The original Adesso Split calibration keys from Baumann Dental are available for all conventional articulator symmetries. They are supplied in a practical box. You cannot find what you are looking for or still have questions? Call us!

10025	Adesso Split calibration key Artex <sup>1</sup> , Arto 116 mm, Stratos, Reference
10025-C	Adesso-Split calibration key Artex <sup>1</sup> Carbon, Arto 126 mm, Physio-Logic
10027	Adesso Split calibration key / Denar
10030	Adesso Split calibration key / Kavo <sup>3</sup>
10031	Adesso Split calibration key / Panadent 108 mm
10031-01	Adesso Split calibration key / Panadent 93 mm
10029	Adesso Split calibration key / Dentatus & Balance + 10
10033	Adesso Split calibration key / SAM <sup>2</sup> P
99999-01	Box for calibration key
10024	Allen key / 5 mm for calibration key

*Tip: Naturally, you can integrate Adesso Split yourself and synchronise your articulators on site. If you would prefer to leave this to our workshop experts, that's no problem, and we'll be happy to take care of it for you. You will be surprised how affordable our workshop's services are.*



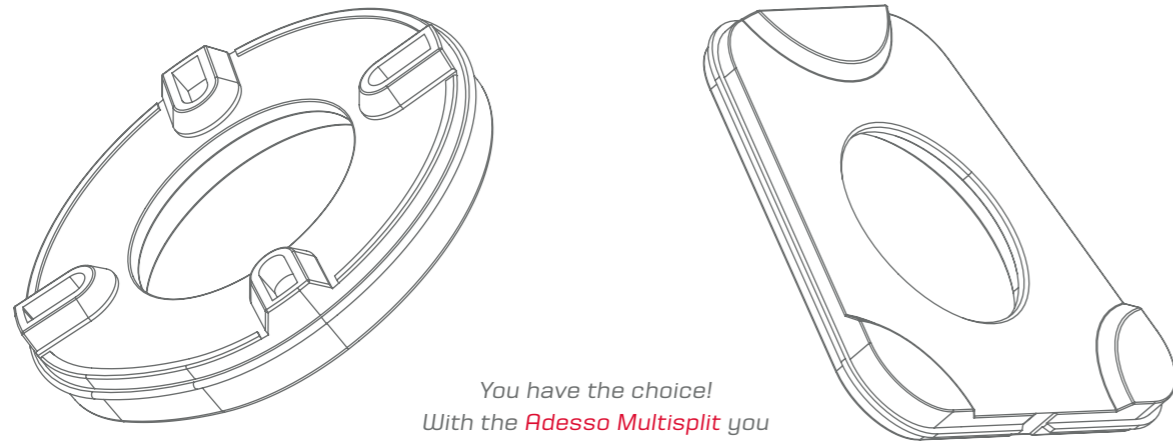
Illustration depicts: scope of delivery of an **Adesso Split calibration key**



## ADESSO MULTISPLIT CONSISTENT CROSS-SYSTEM SYNCHRONISATION

The patented Adesso Multisplit magnetic plate system perfectly combines the two most common magnetic plate systems with no loss of precision: the proven Adesso Split system from Baumann Dental and the Splitex<sup>1</sup> system from AmannGirrbach.





You have the choice!  
With the **Adesso Multisplit** you  
decide which mounting plates  
you work with:

either the original Adesso Split  
mounting plates from Baumann  
Dental or the mounting plates  
for the Splitek<sup>1</sup> system from  
AmannGirrbach.



## ADESSO MULTISPLIT® THE MULTI-FUNCTIONAL MAGNETIC PLATE SYSTEM

With the patented Baumann Dental Adesso Multisplit magnetic plate system you can utilise the two most common magnetic plate systems in an articulator or scanner or plastering unit or transfer stand.

### Your benefits:

- Cross-system synchronisation of articulators
- Optional use of the mounting plates for the systems Adesso Split and Splitek<sup>1</sup>
- Other accessories from Adesso Split and Splitek<sup>1</sup> have unlimited compatibility
- Adesso Multisplit can be synchronised with the calibration keys for the Adesso Split or Splitek<sup>1</sup> systems
- Low costs through dual benefits

Illustration depicts: Artek<sup>1</sup> Carbon articulator with **Adesso Multisplit set** #10200-C and spacer plate #10265, to reduce the Carbon articulator to a construction height of 116 mm.





Illustration depicts: **Adesso Multisplit transfer plate #10200-15** for 3Shape® scanner. The extremely flat transfer plate makes it possible for the first time to directly place models on Adesso Split and Splitex® bases directly in the scanner. Not suitable for 3Shape® D900L scanner!



## THE NEWLY DESIGNED MILLING BASE IN VARIANT ADESSO MULTISPLIT®

You will be truly fascinated by the unique friction screw! The spherical head can be swivelled through 90° and can be set flexibly or permanently in just a few steps. This way you will never lose your insertion direction when loosening the locking mechanism of the milling base.

This also considerably facilitates the fixation of finished wax parts. Or do you prefer absolutely smoothly adjustable angles? Not a problem with the new friction screw. The large magnetic pedestal lends stability to the milling base.

### The features in detail:

- Plate can be rotated through 90°
- Adesso Multisplit magnetic plate
- Quick locking mechanism
- Friction screw
- Magnetic pedestal

The milling base is available for all magnetic-plate-systems.

10039-12 Adesso Multisplit milling base

## ADESSO MULTISPLIT® COMPLETE SYSTEMS

Multifunctional magnetic plate system for synchronisation.

10200	Adesso Multisplit set / Artek <sup>1</sup> / Arto
10200-C	Adesso Multisplit set / Artek <sup>1</sup> Carbon / <b>without magnets</b>

## ADESSO MULTISPLIT®

### INDIVIDUAL COMPONENTS & ACCESSORIES

10200-10	Adesso Multisplit base plate / Artek <sup>1</sup> , Arto / without magnet
10200-11	Adesso Multisplit adjusting base plate / Artek <sup>1</sup> / Arto / without magnet
10200-C-10	Adesso Multisplit base plate / Artek <sup>1</sup> Carbon / without magnet
10200-C-11	Adesso Multisplit adjusting base plate / Artek <sup>1</sup> Carbon / without magnet
10200-C-12	Adhesive plate Adesso Multisplit / Splitex <sup>1</sup> for Artek <sup>1</sup> Carbon set
10200-15	Adesso Multisplit transfer plate for <b>3Shape® scanner</b> / not suitable for D900L and newer models / not illustrated
10200-17	Adesso Multisplit transfer plate for <b>Dental Wings scanner</b> / not illustrated
10265	Adesso Multisplit spacer plate 10 mm e.g. for Artek <sup>1</sup> Carbon not illustrated
10266	Adesso Multisplit spacer plate 20 mm for Physio-Logic not illustrated
10020	<b>Adesso Split magnet / not illustrated / bulk prices!</b> For use with Adesso Split, Adesso Multisplit plates and other magnetic plate systems, e.g. Splitex <sup>1</sup> or Quicksplit®.



Illustration depicts scope of delivery.  
**Adesso Multisplit Artek Carbon #10200-C**



Illustration depicts: **milling base** with Adesso Multisplit base plate

## SPLITEK<sup>1</sup> COMPATIBLE MAGNETIC PLATE SYSTEM

The proven plate system at a very attractive price. Available for Artek<sup>1</sup>, Arto and Artek<sup>1</sup> Carbon.

## SPLITEK<sup>1</sup> COMPLETE SYSTEMS

10010	Splitex <sup>1</sup> compatible magnetic plate set / Artek <sup>1</sup> / Arto
10010-C	Splitex <sup>1</sup> compatible magnetic plate set / Artek <sup>1</sup> Carbon / <b>without magnets</b>

## SPLITEK<sup>1</sup> INDIVIDUAL COMPONENTS

10010-10	Splitex <sup>1</sup> compatible base plate / Artek <sup>1</sup> / Arto / without magnet
10010-11	Splitex <sup>1</sup> compatible adjusting base plate / Artek <sup>1</sup> / Arto / without magnet
10010-C-10	Splitex <sup>1</sup> compatible base plate / Artek <sup>1</sup> Carbon / without magnet
10010-C-11	Splitex <sup>1</sup> compatible adjusting base plate / Artek <sup>1</sup> Carbon / without magnet
10066	Splitex <sup>1</sup> compatible spacer plate 10 mm for Artek <sup>1</sup> Carbon / <b>with magnet</b>
10020	<b>Adesso Split magnet / not illustrated / bulk prices!</b> For use with Adesso Split, Adesso Multisplit plates and other magnetic plate systems, e.g. Splitex <sup>1</sup> or Quicksplit <sup>®</sup> .

## SPLITEK<sup>1</sup> CALIBRATION KEY

10425	Splitex <sup>1</sup> compatible calibration key / Artek <sup>1</sup> / Arto 116 mm
10425-C	Splitex <sup>1</sup> compatible calibration key / Artek <sup>1</sup> Carbon / Arto 126 mm

## SPLITEK<sup>1</sup> ACCESSORIES

11008-20	Splitex <sup>1</sup> set up template carrier for Artek <sup>1</sup> / Arto 116 mm
11008-C-20	Splitex <sup>1</sup> set up template carrier for Artek <sup>1</sup> Carbon / Arto 126 mm (not illustrated)
11007-10	Set up template R100 / acrylic glass with guide lines
11007-11	Set up template R140 / acrylic glass with guide lines
10048-20	<b>Splitex<sup>1</sup> transfer table for transfer stand</b> For fixation of a facebow register in the articulator or transfer stand. Suitable for all articulators, transfer stands and carriages fitted with Splitex <sup>1</sup> or Adesso Multisplit.
10012	Splitex <sup>1</sup> compatible positive plate / not illustrated



Illustration depicts the scope of delivery for the Splitex<sup>1</sup> compatible plate sets for Artek<sup>1</sup> Carbon #10010-C.



#10048-20

## MILLING BASE SPLITEK<sup>1</sup>

- Plate can be rotated through 90°
- Adesso Multisplit magnetic plate
- Quick locking mechanism
- Friction screw
- Magnetic pedestal

10039-14	Splitex <sup>1</sup> milling base
----------	-----------------------------------



The proven **Baumann Dental set up template carriers** are now not only available for the classical articulator height 116mm or the new Carbon construction height 126mm, but also with the option of Adesso Split or Splitex<sup>1</sup> compatible base plates.

Our **new set up templates** are made of high quality, clear acrylic glass and available in flat (R100 #11007-10) or 23°-angled (R140 #11007-11) designs. Crystal clear and fitted with posterior teeth and centre lines, they let you keep an eye on your set up at all times.



## CALIBRATION KEY SPLITEK<sup>1</sup>

We designed the new calibration key for Splitex<sup>1</sup> using our proven Adesso Split calibration key as a role model. Due to its divisibility, any imprecisions in synchronisation are easy to determine. It is supplied in a plastic box. See page 49.



Illustration depicts: Artek<sup>1</sup> Carbon from AmannGirrbach with Splitex<sup>1</sup> compatible plate set for Carbon #10010-C.

## KAVO<sup>3</sup> SPLIT COMPATIBLE MAGNETIC PLATE & CALIBRATION KEY

Until now, the owners of Kavo<sup>3</sup> articulators had to rely on sending their articulators to the manufacturer for checking synchronisation. Elaborate and expensive.

Checking was made even more complicated by the fact that both magnetic plates of the Kavo<sup>3</sup> Split system were suspended in a "floating" manner. We have picked up on this issue. Using our proven Adesso Split calibration key as a good example, we have designed a split calibration key for the Kavo<sup>3</sup> Split system, making it the perfect adjustment and testing instrument for checking your valuable Kavo<sup>3</sup> articulators in your laboratory. Also new is the base plate for the Kavo<sup>3</sup> Split system from our own manufacture.

99997-10	Kavo <sup>3</sup> Split compatible base plate / <b>with magnet</b>
99998	Calibration key for Kavo <sup>3</sup> Split System
10020	<b>Adesso Split magnet / not illustrated / bulk prices!</b> For use with Adesso Split, Adesso Multisplit plates and other magnetic plate systems, e.g. Splitex <sup>®</sup> or Quicksplit <sup>®</sup> .
99999-01	Box for calibration key



Illustration depicts: scope of delivery of magnetic plate for the **Kavo<sup>3</sup> Split #99997-10 system**. The plate can be mounted in the upper section of the articulator using the supplied mounting material. Alternatively, it can be affixed in the lower section.

**Tip:** In order to achieve highly precise and, above all, reproducible synchronisation in your valuable Kavo<sup>3</sup> articulators, we recommend integrating our new base plate in the upper part of the articulator. To reduce costs, the available original Kavo<sup>3</sup> plate can be fitted in the lower part of the articulator. The plates are also suitable for integration in scan articulators and fixators. Call us...

DO YOU HAVE ANY QUESTIONS?  
OUR CONSULTING TECHNICIAN IS  
AT YOUR SERVICE!  
PHONE +49 72 36-933 69 0



**MODEL ASSEMBLY** PLASTIC MOUNTING  
PLATES FOR SYSTEMS: ADESSO SPLIT® /  
SPLITEX<sup>1</sup> / KAVO<sup>3</sup> SPLIT

The right solution for everyone...

For the perfect mounting of your models, Baumann Dental offers you a variety of different mounting plates with which we serve the most common magnetic plate systems on the market. In the accustomed superior quality. And, of course, all products are from our own manufacture. By building new tools and through improved production methods, we have been able to significantly boost the precision of the mounting plates once again!

Please also pay particular attention to our fabulous new Connect mounting plates, which make it practically impossible for the plates to inadvertently loosen from the plaster base.



## CONNECT® THE INGENIOUS PLASTER CLAW! FOR THE SYSTEMS ADESSO SPLIT®, KAVO<sup>3</sup> AND SPLITEX<sup>1</sup>

Low-expansion articulating plasters are being used increasingly in modern dentistry, for the benefit of precision, that much seems clear. As a result of the low expansion values, the mounting plates accidentally come loose from the plaster base more often. Also, more and more higher model systems are being used, yet space in the articulator is limited. What to do?

This debate was ended with the market launch of the new Connect assembly plates: the plates are extremely flat and therefore offer you additional space. The innovative retention surface provides more undercuts than necessary, your models are fixated absolutely safe on the base. The retention discs come complete with the innovative Connect plates - also very practical - on top of which they are easy to clean and can be reused several times. Ask for your free test sample!

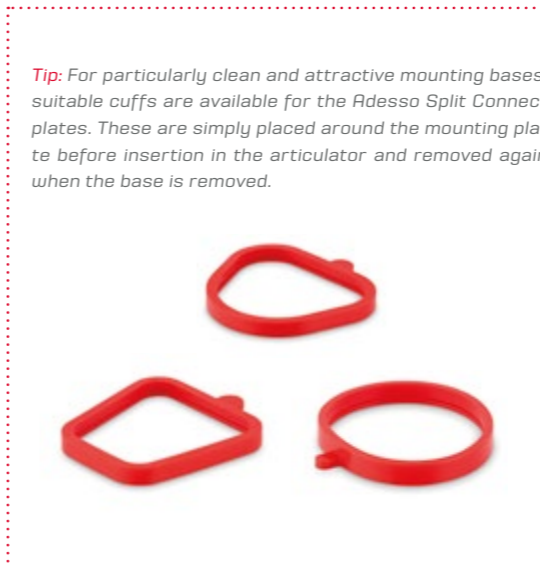
- Perfect hold in plaster
- Easy to clean
- Can be reused several times
- Extremely flat construction
- Integrated magnetic counter



Image shows: Connect mounting plates for the Adesso Split®, SpliteX<sup>1</sup> and Kavo<sup>3</sup> systems

### CONNECT® ADESSO SPLIT®

14050	Connect for Adesso Split / grey / 1 pc.
1405020	Connect for Adesso Split / grey / 20 pcs.
1405050	Connect for Adesso Split / grey / 50 pcs.
14051	Connect for Adesso Split / white / 1 pc.
1405120	Connect for Adesso Split / white / 20 pcs.
1405150	Connect for Adesso Split / white / 50 pcs.
14053	Connect for Adesso Split / yellow / 1 pc.
1405320	Connect for Adesso Split / yellow / 20 pcs.
1405350	Connect for Adesso Split / yellow / 50 pcs.
14052	Connect for Adesso Split / blue / 1 pc.
1405220	Connect for Adesso Split / blue / 20 pcs.
1405250	Connect for Adesso Split / blue / 50 pcs.
14010-01	Silicone cuff for Adesso Split Connect



*Tip: For particularly clean and attractive mounting bases, suitable cuffs are available for the Adesso Split Connect plates. These are simply placed around the mounting plate before insertion in the articulator and removed again when the base is removed.*

### CONNECT® SPLITEX<sup>1</sup>

14030	Connect for SpliteX <sup>1</sup> / white / 1 pc.
1403020	Connect for SpliteX <sup>1</sup> / white / 20 pcs.
1403050	Connect for SpliteX <sup>1</sup> / white / 50 pcs.
14032	Connect for SpliteX <sup>1</sup> / blue / 1 pc.
1403220	Connect for SpliteX <sup>1</sup> / blue / 20 pcs.
1403250	Connect for SpliteX <sup>1</sup> / blue / 50 pcs.
14037	Connect for SpliteX <sup>1</sup> / black / 1 pc.
1403720	Connect for SpliteX <sup>1</sup> / black / 20 pcs.
1403750	Connect for SpliteX <sup>1</sup> / black / 50 pcs.
14010-02	Silicone cuff for SpliteX <sup>1</sup> Connect

### CONNECT® KAVO<sup>3</sup>

14044	Connect for Kavo <sup>3</sup> / red / 1 pc.
1404420	Connect for Kavo <sup>3</sup> / red / 20 pcs.
1404450	Connect for Kavo <sup>3</sup> / red / 50 pcs.
14040	Connect for Kavo <sup>3</sup> / white / 1 pc.
1404020	Connect for Kavo <sup>3</sup> / white / 20 pcs.
1404050	Connect for Kavo <sup>3</sup> / white / 50 pcs.
14042	Connect for Kavo <sup>3</sup> / blue / 1 pc.
1404220	Connect for Kavo <sup>3</sup> / blue / 20 pcs.
1404250	Connect for Kavo <sup>3</sup> / blue / 50 pcs.
14010-03	Silicone cuff for Kavo <sup>3</sup> Connect



Illustration depicts Connect from underneath. Connect does not require an adhesive disc as this is already firmly integrated.

Place Connect mounting plate in the articulator.



Place Connect cuff and fill with plaster.



Place model on the Connect plate and align.



**FINISHED!  
IT'S SO  
EASY!**

## "BASIC" MOUNTING PLATES

Using our plastic mounting plates guarantees optimal precision and economic efficiency in the laboratory. The plates allow for clean model assembly and can be reused several times. Supplied without retention discs.



## MOUNTING PLATES FOR ADESSO SPLIT® CHOOSE BETWEEN THE "BASIC" AND "SNAP-IN" DESIGNS

In the Basic variant, the retention disc is simply inserted and then held in position by the articulating plaster. In the Snap-in version, the retention disc is already retained via small claws on the mounting plate before plastering.

Plastic mounting plate / PU 100 pcs. / supplied without retention disc / suitable retention discs: #10028 or #11010 (page 67)

14100	Adesso Split mounting plate / yellow / Basic
14100.2	Adesso Split mounting plate / yellow / Snap-In
14200	Adesso Split mounting plate / blue / Basic
14200.2	Adesso Split mounting plate / blue / Snap-In
14300	Adesso Split mounting plate / white / Basic
14300.2	Adesso Split mounting plate / white / Snap-In
14400	Adesso Split mounting plate / mint-green / Basic
14400.2	Adesso Split mounting plate / mint-green / Snap-In
14500	Adesso Split mounting plate / red / Basic
14500.2	Adesso Split mounting plate / red / Snap-In
14900	Adesso Split mounting plate / orange / Basic
14920	Adesso Split mounting plate / grey / Basic
14931	Adesso Split mounting plate / black / Basic

## MOUNTING PLATE SYSTEM SPLITEK<sup>1</sup>

Plastic mounting plate / PU 100 pcs. / supplied without retention disc / suitable retention discs: #10028 or #11010 (page 67)

14002	Mounting plate / Basic / for Splitek <sup>1</sup> / yellow
14003	Mounting plate / Basic / for Splitek <sup>1</sup> / blue
14941	Mounting plate / Basic / for Splitek <sup>1</sup> / black
14942	Mounting plate / Basic / for Splitek <sup>1</sup> / white



## MOUNTING PLATES KAVO<sup>3</sup> SPLIT SYSTEM

Plastic mounting plate / 50 pcs. / supplied without retention disc / suitable retention disc: #14028 (page 67)

14020	Mounting plate / Basic / for Kavo <sup>3</sup> Split / white
14020-10	Mounting plate / Basic / for Kavo <sup>3</sup> Split / blue
14020-11	Mounting plate / Basic / for Kavo <sup>3</sup> Split / red
14020-12	Mounting plate / Basic / for Kavo <sup>3</sup> Split / green



Suitable **retention discs** are given on the following page >>>





## RETENTION DISCS FOR PLASTIC MOUNTING PLATES

Diameter 35 mm / e.g. for types Adesso Split, SpliteX<sup>1</sup>, Quicksplit<sup>5</sup>, Kavov<sup>3</sup>. Please ask for our bulk prices.

10028	Retention discs / galvanised finish / 100 pcs.
11010	Retention discs / magnetised stainless steel / 100 pcs.
14028	Retention discs for mounting plates type Kavov <sup>3</sup> / 50 pcs.



# 10028



# 14028



# 11010



The **retention discs** for the mounting plates of the Kavov<sup>3</sup> type have a ledge to allow flush insertion into the mounting plate. This increases retention enormously.

## MOUNTING PLATES FOR ADESSO SPLIT® PREMIUM DESIGN - THE SPECIAL ONE!

The holding force of the Premium mounting plate can be adjusted infinitely.

14006	Mounting plate for Adesso Split Premium / white / 50 pcs. / supplied incl. counter screw
-------	--

Remaining stocks in other colours are available. Please ask us!



*Tip: With a simple internal hex key, #14005, the integrated counter-screw can be adjusted, and the holding force easily adapted to your requirements.*

## PHYSIO-LOGIC ARTICULATOR

### AN ENTIRELY NEW ARTICULATOR CONCEPT



Rainer Schöttl

As the design already suggests. In order to build this myocentric articulator we had to abandon conventional paths...

An entirely new concept was developed which is distinguished by logical simplicity and does without extensive adjustment options.

The optimal construction height allows uncomplicated assembly of the models with the Hip-Mount® ([www.hipmount.de](http://www.hipmount.de)), as well as correct positioning via vector analyser. For the first time, an articulator can also simulate combined movements, like the human lower jaw, in a targeted manner.

In contrast to a conventional articulator, where, as a matter of principle, one of the condyles remains in a fixed position in its stop during laterotrusion movement, the special design of the Physio-Logic articulator offers functional opposing condyle movement to cover the largest possible occlusal compass. The result is maximum interference-free occlusion.

12603 Physio-Logic articulator / without magnetic plate set

10200 Adesso Multisplit set - Artek® / Arto / Physio-Logic

10265 Adesso Multisplit spacer plate 10 mm

10266 Adesso Multisplit spacer plate 20 mm

*Institute for Temporo-  
Mandibular Regulation  
[www.itmr.info](http://www.itmr.info)*

*Rainer Schöttl  
D.D.S (USA)*



*Image depicts: Physio-Logic articulator (#12603)  
with Adesso Multisplit (#10200). Supplied without the  
depicted Hipmount device.*

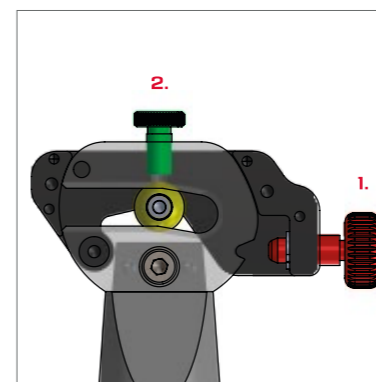


Image depicts: the condyle of the Physio-Logic articulator in detail. By rotating the outer spheres, the immediate side shift can be released and also securely locked again.

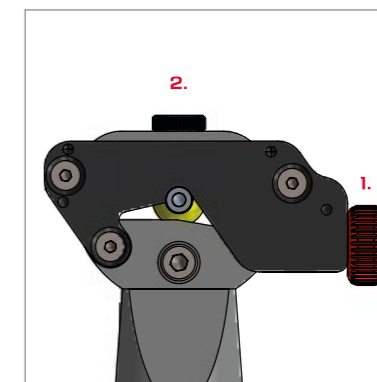
The large and ergonomic central locks "catch" the articulator axis in every position when hinged down and guide it back safely to the central position. The transport safety lock (red screw) remains deactivated when working.

## FUNCTION OF THE **PHYSIO-LOGIC** CONDYLE

The condyles of the Physio-Logic articulator work completely different from the condyles of a classical articulator. Control has been simplified considerably and is designed for scanning a maximum sized occlusal compass. Any fault contacts can therefore be located easily. The novel counter-rotating trajectory of the condyle spheres dispenses with the necessity of an adjustable Bennett angle as this becomes an integral part of the movement profile. A further option is the easy-to-operate immediate side shift.



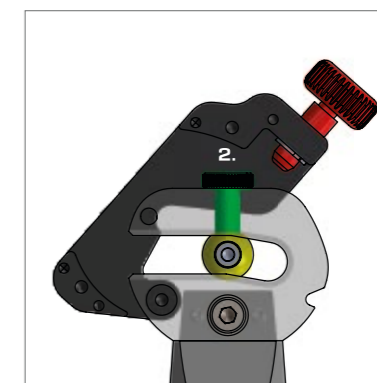
Condyle with deactivated transport safety lock 1 and centric screw 2.



Condyle in fully locked position with activated transport safety lock 1 and centric screw 2.



Condyle fully opened, condyle sphere moves freely, centric screw is deactivated.



Condyle opened and centric screw 2 activated. Condyle sphere fixated in centric position. Protrusion and retrusion are blocked, movement is only possible away from the median plane (laterotrusion side).

## MODEL FABRICATION

### A SUITABLE SYSTEM FOR EVERYONE!

No matter whether you prefer classic plaster models, models on prefabricated model plates according to the principle of the Zeiser<sup>4</sup> system, Combi flex or our proven pin base plates from the Modellsystem 2000 or Quadra Base. At Baumann Dental, you too can find the right system for your needs. Quality and cost-effectiveness take priority for all model systems from Baumann Dental. Let yourself be inspired...





## MODELLSYSTEM 2000® THE BENCHMARK FOR SAW-CUT MODELS

A high quality saw-cut model, which offers exceptional accuracy resulting from just a single expansion process, can be fabricated in only a few minutes with the Modellsystem 2000.

The optimised design and sophisticated arrangement of the pins guarantee ergonomic repositioning of the individual segments. Even critical approximal contacts can be set precisely on the model.

The already integrated Splitcast is distinguished by an extremely flat design to facilitate model assembly in the articulator. Individual pins can be removed as required, for example, to create room for a model analog.

### *Economical*

- Can be reused up to 50 times
- 70% time savings
- No machines required

### *Precise*

- No multiple plaster expansions
- Segment sits without wobbling
- Accurate fitting Splitcast

### *Ergonomic*

- No drilling and placing of pins necessary
- Easy to saw without damaging pins
- Perfect checking of fit



## MODELLSYSTEM 2000® STARTER SET

Pin base plate / large / 2 pcs. / #19000

Pin base plate / small / 3 pcs. / #19020

Cuff / large / 1 pc. / #19060

Cuff / small / 2 pcs. / #19061

Archiving plate Eco / large / 2 pcs. / #19050

Archiving plate Eco / small / 3 pcs. / #19051

Positioning plate / large / transparent / 1 pc. / #19036-01

Positioning plate / small / transparent / 1 pc. / #19035-01

Model segment removal key / large / 1 pc. / #19030

Table for model segment removal / small / 1 pc. / #19033

Separating fluid / spray bottle / 100 ml / 1 pc. / #19080

19090	Starter set / see above for contents
-------	--------------------------------------

19091	Starter set incl. cleaning spray / #19088
-------	---

19090/E	Starter set incl. Quadra Base
---------	-------------------------------

Illustration depicts: scope of delivery for starter set **Modellsystem 2000 #19090**.



**Modellsystem 2000®**  
Baumann-Dental



## MODELLSYSTEM 2000® COMPONENTS

### PIN BASE AND SPLITCAST PLATES

Bulk prices from 10 pcs. upwards.

19000	Pin base plate / large
19020	Pin base plate / small
19100	Pin base plate / large / without Splitcast plate
19111	Pin base plate / small / without Splitcast plate
19110	Splitcast plate / large
19112	Splitcast plate / small

### CUFFS

19060	Cuff / large
19061	Cuff / small

### ARCHIVING PLATES

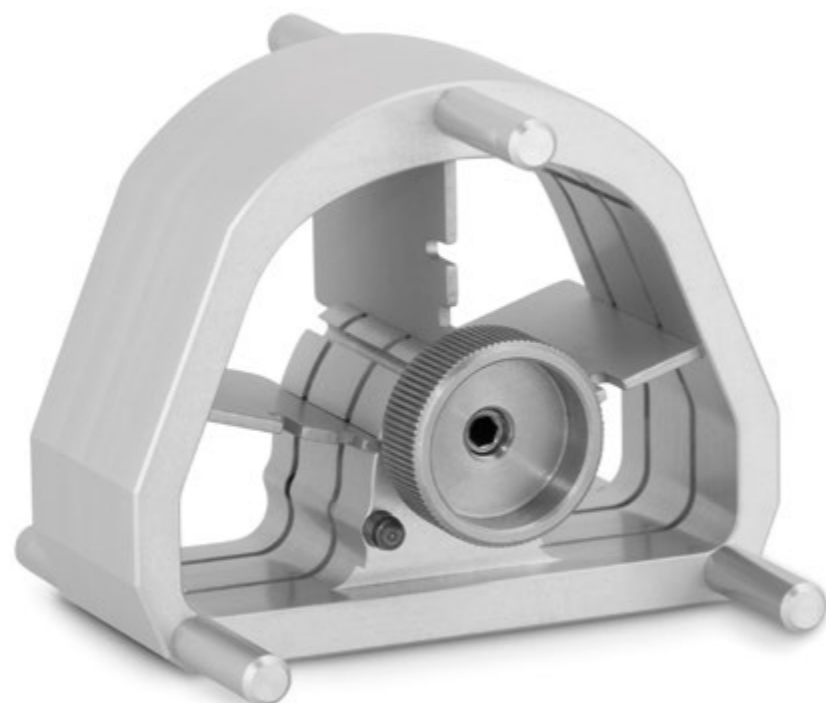
19050	Archiving plates Eco / large / 25 pcs.
19051	Archiving plates Eco / small / 25 pcs.
19050-DE LUXE	Archiving plates Eco / de luxe / large / 25 pcs.
19051-DE LUXE	Archiving plates Eco / de luxe / small / 25 pcs.

### INSULATING AND CLEANING

19080	Separating fluid / spray bottle / 100 ml
19081	Separating fluid / refill canister / 500 ml
19088	Cleaning spray / 400 ml
19089	Reamer

### OTHER ACCESSORIES

19030	Model segment removal key / large
19031	Model segment removal key / small
19032	Table for model segment removal / large
19033	Table for model segment removal / small
19001	Cover for model segment removal / large / 10 pcs.
19021	Cover for model segment removal / small / large / 10 pcs.
19036-01	Positioning plate / large / transparent / 2 pcs.
19035-01	Positioning plate / small / transparent / 2 pcs.
19040	Magnet lifter



## MODELLSYSTEM 2000® SPECIAL CUVETTE

Special cuvette for the Modellsystem 2000 for the duplication of individual or several tooth segments in the correct position for individual ceramic layering. The flexible inner dividers allow material-saving duplication of the segments. In the future, work with investment material segments directly on your Modellsystem 2000®, without the laborious translation to a conventional investment material system.

### Content:

- 1 Cuvette for pin base plate small
- 3 Inner dividers
- 1 Model segment removal key
- 1 Instruction manual

62210 MS 2000 Cuvette / small

DO YOU HAVE ANY QUESTIONS?  
OUR CONSULTING TECHNICIAN IS  
AT YOUR SERVICE!  
PHONE +49 72 36-933 69 0

## THE NEWLY DESIGNED MILLING BASE IN THE MODELLSYSTEM 2000® VARIANT

You will be truly fascinated by the unique friction screw! The spherical head can be swivelled through 90° and can be set flexibly or permanently in just a few steps. This way you will never lose your insertion direction when loosening the locking mechanism of the milling base.

This also considerably facilitates the fixation of finished wax parts. Or do you prefer absolutely smoothly adjustable angles? Not a problem with the new friction screw. The large magnetic pedestal lends stability to the milling base.

### The features in detail:

- Plate can be rotated through 90°
- Adesso Multisplit magnetic plate
- Quick locking mechanism
- With friction screw
- Magnetic pedestal

The milling base is available for all magnetic-plate-systems.

10039-13	Milling base Modellsystem 2000
19150	Milling plate Modellsystem 2000



Illustration depicts: milling base with Modellsystem 2000. Milling plate for large and small plates





## DUETT PLATE SYSTEM

The Duett plates are used in all areas of dental technology and dentistry as plinths and for the assembly of all unsawn models. The plates can be reused several times and a Splitcast plate is permanently integrated.

### Application examples:

- Counterbites
- Situation models
- Models for functional diagnostics and therapy
- Splint therapy
- Models for combination and milling work
- Orthodontic models (set-up)
- Models for full prosthetics
- Linings
- Implantology models etc.



Using a different colour code, the various models and situations can not only be set in relation to each other in the functional diagnoses, but all models can also be exchanged for one another. Both parts of the Duett plate are therefore produced in different colours, each with a different meaning (e.g. in functional diagnostics). If treatment is provided via rearticulation, the colour of the Splitcast plate indicates the stage, while the model remains the same. If treatment is provided via diagnostic models, the colour of the model base plate indicates the stage, while the model base remains the same. The Duett plates are reusable.

DO YOU HAVE ANY QUESTIONS?  
OUR CONSULTING TECHNICIAN IS  
AT YOUR SERVICE!  
PHONE +49 72 36-933 69 0



**DUETT PLATE SYSTEM**

19095	Duett plate course set complete
19070	Duett plate / large / white
19071	Duett plate / large / red
19072	Duett plate / large / blue
19074	Duett plate / large / green
19060	Cuff / large

**Course set, scope of delivery:**  
 White plates / large / 4 pcs. / #19070  
 Blue plates / large / 4 pcs. / #19072  
 Red plates / large / 4 pcs. / #19071  
 Green plates / large / 4 pcs. / #19074  
 Cuffs / large / 2 pcs. / #19060



Initial situation for analysis and planning.



Here, therapeutic position with splint.



Centric position with diagnostic wax-up.



Mandibular prepared situation in def. centric versus maxilla situ.



Mandibular prepared situation in def. centric versus maxilla wax-up.





## MODELLSYSTEM 2000® EVO STARTER SET

The plastic variant of the proven Modellsystem 2000 in accustomed precision at an attractive price.

The Evo system impresses through its flexibility and simplicity. The new Modellsystem 2000 Evo pin base plate is manufactured entirely from high-quality plastic. The Evo pin base plate corresponds to the size of our classic Modellsystem 2000 pin base plate small #19020.

*Pin base plate / small / 10 pcs. / #1970010*

*Insert with metal core / 10 pcs. / #1961010*

*Cuff / small / 2 pcs. / #19061*

*Splitcast plate / small / 2 pcs. / #19112*

*Separating fluid / spray bottle / 100 ml / 1 pc. / #19080*

*Plastic hammer for model systems / 1 pc. / #11102-02*

19690 Modellsystem 2000 Evo starter set





### MODELLSYSTEM 2000® EVO COMPONENTS

1970010	Pin base plates / small / 10 pcs.
1961010	Insert with metal core / 10 pcs.
19620/N10	Insert without metal core / 10 pcs.
19112	Splitcast plate / small / 1 pc. / white
19080	Separating fluid / spray bottle / 100 ml
19081	Separating fluid / refill canister / 500 ml
11102-02	Plastic hammer for model systems
19061	Cuff / small / 1 pc.



### MODELLSYSTEM 2000 EVO MODEL MOUNTING WITH FLEXIBILITY



Evo pin base plates from Baumann Dental are constructed in such a way that they can also be articulated directly without a Splitcast plate, making them an extremely cost-effective version. For this you require:

- #1970010 pin base plate / small
- #19620/N10 insert for pin base plate Evo

The extremely precise yet very cost-effective **Modellsystem 2000 Evo** pin base plates are specially suited to large dental labs, as they were developed for one-time use.

Also suitable for printing and milling techniques, the **Modellsystem 2000 Evo** pin base plate is now supported by software applications from major manufacturers.



The Modellsystem 2000 Evo system also remains an affordable alternative if you prefer the classic method of the 'double Split-cast' when mounting models. You will need:

- #1970010 pin base plate - small
- #1961010 insert for pin base plate with metal core
- #19112 Splitcast plate - small



## COMBIFLEX PLUS FULLY COMPATIBLE WITH GIROFORM<sup>®</sup> SYSTEM FROM AMANN GIRRBACH

*Combiflex plus base plates fit perfectly to your Giroform<sup>®</sup> Splitcast plates.*

*Combiflex plus Splitcast plates also fit perfectly to your Giroform<sup>®</sup> base plates.*

The precision of dentures largely depends on the quality of the materials used. Imprecisions and problems with try-ins in the patient's mouth are often due to the natural expansion of the modelling plaster used.

The Combiflex / Combiflex plus model systems from Baumann Dental avoid the expansion of plaster due to several factors and give a representation of the dental restoration on the model which corresponds to the patient.

- Use of a prefabricated but patient-customised drilled base plate
- Precise and stable prefabricated Splitcast plates are available optionally
- Linear plaster expansion is equalised with saw cuts (segmentation)



*You can find our new **Pinmaster C1 pin drilling unit** on page 96.*



*Illustration depicts: **Combiflex plus Quickscan**. The special character and colouring of the Quickscan plate reduces stray light and improves your scanning results considerably.*



*Illustration depicts: **Combiflex plus Premium** with magnet counter in white*



The Combiflex / Combiflex plus product line offers you a complete, perfectly matched system for model fabrication as well as offering many advantages from an economical point of view versus the use of conventional plaster models:

- Low plaster consumption (after pouring the dental arch, model fabrication is virtually completed)
- Low time requirement - nearly twice as fast when compared to fabricating conventional plaster models
- Many components can be reused several times: base plate, Splitcast plate, adhesive disc

## COMBIFLEX PLUS BASIC & PREMIUM

#11209	Combiflex plus Basic / large / HL	100 pcs.	white
#11210	Combiflex plus Basic / small / L	100 pcs.	white
#11215	Combiflex plus Premium / large / HL	100 pcs.	white
#11216	Combiflex plus Premium / small / L	100 pcs.	white
#11216-10	Combiflex plus Premium / small / L	100 pcs.	blue
#11216-14	Combiflex plus Premium / small / L	100 pcs.	"Quickscan"

## COMBIFLEX PLUS SPLITCAST

#1121825	Combiflex plus Splitcast / large / HL	25 pcs.	white
#1121850	Combiflex plus Splitcast / large / HL	50 pcs.	white
#1121925	Combiflex plus Splitcast / small / L	25 pcs.	white
#1121950	Combiflex plus Splitcast / small / L	50 pcs.	white

## COMBIFLEX PLUS ACCESSORIES

#11021	Combiflex plus magnet counter and screws	100 pcs.	
--------	--	----------	--

*Additional accessories for Combiflex plus, for example, pins, putty, etc., can be found in the Combiflex section on page 95 seq.*



## COMBIFLEX® BASE PLATE PREMIUM WITH PRESS-FITTED MAGNETIC COUNTER

The Combiflex model system from Baumann Dental is a precise and inexpensive alternative. We offer you a complete system with all the necessary individual components, matching the Zeiser<sup>1</sup> and AmannGirrbach pin drills. The short basal positioning elements of the Combiflex plates prevent lateral sliding of the model base on the Splitcast plate.

You are interested and wish to test Combiflex without obligation? No problem, simply call us!

*Combiflex, the alternative ...*



*Proven millions of times, outstanding price-performance ratio, press-fitted magnetic counter, top precision **Made in Germany.***

## COMBIFLEX® PREMIUM BASE PLATE LARGE / PU 100 PCS.

With press-fitted magnetic counter. Corresponds to size XL for Giroform<sup>1</sup>.

11115	Base plates Premium / large / white
11115-10	Base plates Premium / large / blue



## COMBIFLEX® PREMIUM BASE PLATE SMALL / PU 100 PCS.

With press-fitted magnetic counter. Corresponds to size L for Giroform<sup>1</sup>.

11116	Base plates Premium / small / white
11116-10	Base plates Premium / small / blue
11116-11	Base plates Premium / small / terracotta
11116-12	Base plates Premium / small / black



DO YOU HAVE ANY QUESTIONS?  
OUR CONSULTING TECHNICIAN IS  
AT YOUR SERVICE!  
PHONE +49 72 36-933 69 0



### COMBIFLEX® BASE PLATE BASIC / PU 100 PCS.

Variant of the Combiflex system. For use with counter screw M8.2 #10059 or the Combiflex metal pins #10085 ("Large" = HL for Giroform<sup>1</sup>, "Small" = L).

11109	Base plates Basic / large / white
11110	Base plates Basic / small / white

### COMBIFLEX® SPLITCAST PLATE

The fast track to the perfect Splitcast. Secures the base plate perfectly against lateral shifting. The well thought out design perfectly supports the base plates in all areas.

1111825PK	Splitcast plate - large, 25 pcs.
1111850PK	Splitcast plate - large, 50 pcs.
1111925PK	Splitcast plate - small, 25 pcs.
1111950PK	Splitcast plate - small, 50 pcs.



### COMBIFLEX® ACCESSORIES FOR ZEISER<sup>4</sup> AND GIROFORM<sup>1</sup>

We offer you the full range of accessories for the Combi Flex, Zeiser<sup>4</sup>, Giroform<sup>1</sup> systems as well as similar systems. You cannot find what you are looking for? Call us, we would be pleased to help you ...

10085	Pins 14 mm for Combiflex / Zeiser <sup>4</sup> / Giroform <sup>1</sup> and similar / 1,000 pcs. / Please ask for our bulk prices.
10085-k	Pins compact / 12.5 mm for Combiflex / Zeiser <sup>4</sup> / Giroform <sup>1</sup> and similar / 1,000 pcs. / Please ask for our bulk prices.
10082	Pin drills conical for Combiflex / Zeiser <sup>4</sup> / Giroform <sup>1</sup> and similar
10059	M8.2 screw for Combiflex, Zeiser <sup>4</sup> , Giroform <sup>1</sup> / 100 pcs. / for use with our "Basic" base plates
14005	T-handle Allen key for use with our M 8.2 screws
11107	Combiflex putty / pliable silicone / silver-grey / 1 kg / for Combiflex / Zeiser <sup>4</sup> / Giroform <sup>1</sup> and similar
11170	Combiflex Putty natural / natural pliable material / beige / 1kg for Combiflex / Zeiser <sup>4</sup> / Giroform <sup>1</sup> and similar
11111	Positioning plate / transparent / large / 2 pcs.
11112	Positioning plate / transparent / small / 2 pcs.

*Tip: the compact 12.5 mm pin has the same shaft as the large 14 mm pin, changing the drill is therefore not necessary. This pin is exceptionally well suited for the fabrication of very small or narrow mandibular models as it has a shorter and narrower retention area.*





## BAUMANN DENTAL PINMASTER C1 PIN DRILLING UNIT

Das Pinmaster C 1 pin drilling unit enables highly precise model fabrication and can be used for all model systems according to the Zeiser principle. The supplied Universal plate holder (#176000) fits both large and small model plates of all major manufacturers.

By activating the ergonomically positioned release button, the plate holder is fixated electromagnetically, and the automatic feed of the drill allows precisely reproducible drill holes.

### Scope of delivery:

- Pinmaster C1 pin drilling unit
- Pin drill conical
- Universal plate holder
- Impression carrier
- Mounting tools

### Your benefits:

- Easy determination of drilling position through precise laser targeting
- Electromagnetic fixation of the plate holder when triggering the drilling process
- Exact reproducibility of drill holes due to automatic feed
- Fast change of drills and easy height adjustment of the drilling unit
- Can be used for model systems according to the Zeiser<sup>4</sup> principle

170000 Pinmaster C1 pin drilling unit incl. accessories

10082 Pin drills conical for Combiflex / Zeiser<sup>4</sup> / Giroform<sup>1</sup> and similar



## IMPRESSION CARRIERS FOR COMBIFLEX® AND GIROFORM<sup>1</sup>

The impression carriers can be used for all base plates and fit the plate holders and drilling units from Zeiser<sup>4</sup> and AmannGirrbach. Impression carrier L is 75 mm high, making it very well-suited to holding even high, heavily offset impression trays and positioning these in the correct place.

11120 Combiflex impression carrier Standard / size M / 50 mm

11121 Combiflex impression carrier / size L / 75 mm



## COMBIFLEX® PLATE HOLDERS

Our workshop service can modify existing plate holders, e.g. from Zeiser<sup>4</sup> or Giroform<sup>1</sup> to take our Combiflex plates. The service is free for those who change!

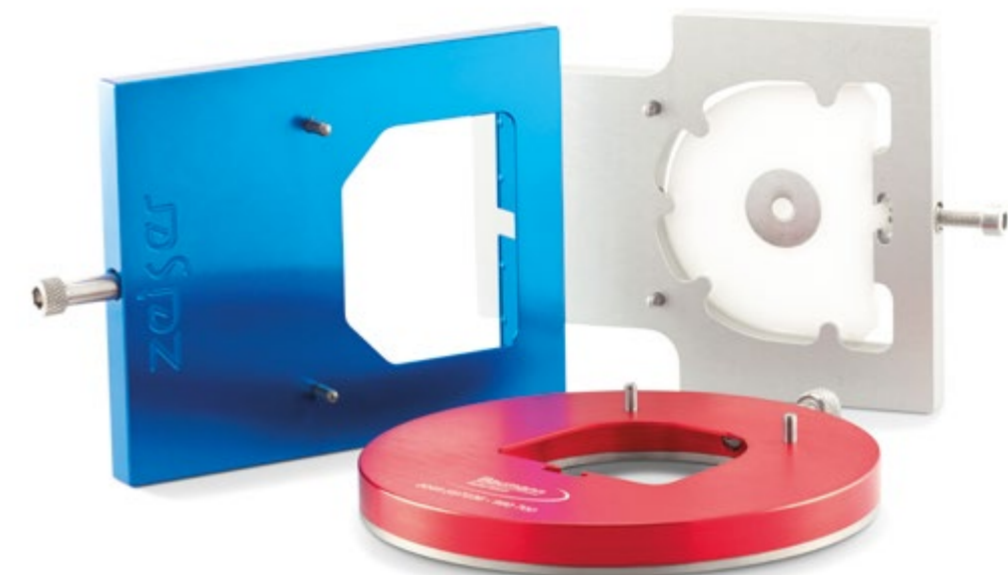
176000 Combiflex Universal plate holder for Pinmaster C1, Zeiser<sup>4</sup> P10 and Giroform<sup>1</sup> pin drilling units / fits large and small Combiflex, Zeiser<sup>4</sup> and Giroform<sup>1</sup> base plates.

176000-01 Locking screw for Universal plate holder

176112 Plate holder for Zeiser<sup>4</sup> / small / black / not illustrated

176122 Plate holder for Zeiser<sup>4</sup> / large / blue

176142 Combiflex plate holder, large for Zeiser<sup>4</sup> and AmannGirrbach pin drilling units, older models.







## BASE PLATES ACCORDING TO ZEISER<sup>4</sup> TOP QUALITY AT AN ATTRACTIVE PRICE

Available in "Premium" variants with press-fitted magnetic counter and Basic, for use with our magnetic counter screw #10059 or with pins #10085 / #10085-K.

### PREMIUM / PU 100 PCS.

11105	Base plate for Zeiser <sup>4</sup> Premium / large / var. B / white
11106	Base plate for Zeiser <sup>4</sup> Premium / small / var. B / white

### BASIC / PU 100 PCS.

11103	Base plate for Zeiser <sup>1</sup> Basic / large / white
11103-10	Base plate for Zeiser <sup>1</sup> Basic / large / blue
11104	Base plate for Zeiser <sup>1</sup> Basic / small / white
11104-10	Base plate for Zeiser <sup>1</sup> Basic / small / blue
10059	M8.2 screw for Combiflex, Zeiser <sup>4</sup> , Giroform <sup>1</sup> / 100 pcs.
14005	T-handle Allen key for M8.2 screw / 1 pc.

### POSITIONING PLATES

11113	Positioning plate for Zeiser <sup>4</sup> / transparent / large / 2 pcs. / not illustrated
11114	Positioning plate for Zeiser <sup>4</sup> / transparent / small / 2 pcs. / not illustrated

**Further accessories** for model fabrication according to Zeiser<sup>4</sup>, for example, the illustrated pins, can be found under the section "Combiflex" on page 95.

Our type Zeiser<sup>4</sup> base plates offer convincing quality at small prices. They are not suitable for use with original Zeiser<sup>4</sup> Splitcast plates.





Illustration depicts: **Quadra Base** used in conjunction with the practical disposable articulator.



## QUADRA BASE® MODEL FABRICATION REDUCED TO THE ESSENTIALS

The Quadra Base model system from Baumann Dental is a pure quadrant model system. It is based on the principles of our proven Modellsystem 2000. Quadra Base plates can be articulated or used with our practical disposable articulators. When using quadrant impressions, the Quadra Base is an economical and fast alternative!

## QUADRA BASE® STARTER SET

- Model base right / 10 pcs. / #19200-1
- Model base left / 10 pcs. / #19200-2
- Cuff right / 2 pcs. / #19260-1
- Cuff left / 2 pcs. / #19260-2
- Disposable articulator / 10 pcs. / #19270
- Model adapter / 20 pcs. / #19271
- Separating fluid / spray bottle / 100 ml / #19080

19290 Quadra Base starter set

## QUADRA BASE® INDIVIDUAL COMPONENTS

- 19200-1 Model base right / 50 pcs.
- 19200-2 Model base left / 50 pcs.
- 19270 Disposable articulator / 10 pcs.
- 19271 Model adapter / 20 pcs.
- 19260-1 Cuff right / 1 pc.
- 19260-2 Cuff left / 1 pc.
- 19080 Separating fluid / spray bottle / 100 ml

**Economical**  
Saves time in model fabrication  
No machines required

**Precise**  
No multiple plaster expansions  
Segments sit without wobbling

**Ergonomic**  
No drilling and placing of pins necessary  
Easy to saw without damaging pins  
Perfect checking of fit



# 19200-1

# 19080

# 19260-2

# 19200-2

# 19270

# 19271

# 19260-1

## MODEL BASE FORMER

Permanently integrated magnet and supplied without cuff. The matching cuffs are partly available in different heights, please make your choice.

### SMALL

10072	Model base former / small / grey
10076	Cuff for model base former / small / 21.7 mm
10073	Cuff for model base former / small / 23.5 mm
10077	Cuff for model base former / small / 27.0 mm

### LARGE

10070	Model base former / large / blue
10078	Cuff for model base former / large / 21.7 mm
10071	Cuff for model base former / large / 23.5 mm
10079	Cuff for model base former / large / 27.0 mm

### EXTRA LARGE

10074	Model base former / extra large / black
10075	Cuff for model base former / extra large / 23.5 mm



Illustration depicts the cast magnet in model base former large #10070.

*Tip: the Baumann Dental model base formers also fit the Xpress pin system perfectly!*



## XPRESS PINS FOR FANS OF THE CLASSIC PLASTER MODEL

The Baumann Dental Xpress pin system is extremely flexible in use. The pins can be fixated in the dental arch without adhesive. Due to their special design, the pins slide smoothly into the sleeves and ensure a perfect hold. Optionally available approximal pins secure the segments against mesio-distal pull-out torque and optimise the plaster model for the best possible setting of the approximal contacts. Ranges with closed and open sleeves are available.

10810	Brass pins incl. plastic sleeves / closed / 1,000 pcs.
10813	Brass pins incl. plastic sleeves / open / 1,000 pcs.
10811	Approximal pins / 1,000 pcs.
10812	Xpress pin system / drill / 1 pc. / not illustrated



The **Xpress pins** are inserted into the dental arch by the conical side and are fixed in place by tapping gently with a small hammer. There is no need to use adhesive on the pins.

The optionally available **approximal pins** are inserted into the holes in the dental arch in such a way that the milled recess remains visible. The recess is later anchored in the base plaster.

The **Xpress pin sleeves** are available open or closed. These give the pins a secure, wobble-free hold.



Illustration depicts: **Xpress pins** and approximal pins.

## MODEL FABRICATION SPLITCAST ITEMS / ACCESSORIES

### ACCESSORIES

16250	Occlu-contact spray / 75 ml / blue
16251	Occlu-contact spray / 75 ml / green
11009	Silicone care and insulation spray / 400 ml
20000-10PK	Membrane box / 36x36x16 mm / 10 pcs.



Our **silicone spray #11009** is perfectly suited to caring for your valuable articulators, magnetic plate systems, etc.

It is also suitable for insulating your Adesso Split master plates.



# 20000-10PK



# 16250 / 16251

DO YOU HAVE ANY QUESTIONS?  
OUR CONSULTING TECHNICIAN IS  
AT YOUR SERVICE!  
PHONE +49 72 36-933 690



### SPLITCAST ITEMS

10052	Retention discs / punched / galvanised finish / 100 pcs.
10053	Magnet housings punched / galvanised finish / 50 pcs.
10054	Retention discs / turned / galvanised finish / 100 pcs.
10055	Magnet housings turned extra flat / 25 x 5 mm galvanised finish / 50 pcs.
10056	Neodymium magnet 14 x 3 mm / 100 pcs.
10055/56	Magnet housings extra flat incl. power magnet / set / 10 pcs.
10057	Round magnets 20 x 6 mm / 100 pcs.
10058	Magnet housings turned / galvanised finish / 50 pcs.
10028	Retention discs / galvanised finish / 100 pcs.
11010	Retention discs / magnetised stainless steel / 100 pcs.

## GRINDING BELTS FOR DRY TRIMMERS

The Baumann Dental grinding belts are available for the most commonly used dry trimmers and in different grain sizes. The optimised surface combines high abrasion with a long service life.

### HARNISCH & RIETH / 100 X 880 MM / PU 10 PCS.

25000-40	Textile grinding belt for Harnisch & Rieth / grain 40
25000-50	Textile grinding belt for Harnisch & Rieth / grain 50
25000-60	Textile grinding belt for Harnisch & Rieth / grain 60

### KAVO<sup>3</sup> / 100 X 950 MM / PU 10 PCS.

25010-40	Textile grinding belt for Kavo <sup>3</sup> / grain 40
25010-60	Textile grinding belt for Kavo <sup>3</sup> / grain 60

### AMANNGIRRBACH / 90 X 610 MM / PU 10 PCS.

25020-60	Textile grinding belt for AmannGirrbach / grain 60
25020-100	Textile grinding belt for AmannGirrbach / grain 100



## GRINDING BELT MANDRELS & GRINDING BELTS

Can be used in the technician hand piece, shaft: 2.35 mm.

### CYLINDRICAL / 13 X 12 MM

25300	Grinding belt mandrel cylindrical / 1 pc.
25300-80	Grinding belts / round 13x12 mm / grain 80 / 50 pcs.
25300-120	Grinding belts / round 13x12 mm / grain 120 / 50 pcs.

### BULLET SHAPE

25400	Grinding cap mandrel / bullet shape / 1 pc.
25400-80	Grinding caps / bullet shape / grain 80 / 10 pcs.

### TUNGSTEN CARBIDE CUTTERS / 6 MM SHAFT

25202	Tungsten carbide cutters conical / 6 mm shaft / e.g. for AmannGirrbach Multirim
-------	---

DO YOU HAVE ANY QUESTIONS?  
OUR CONSULTING TECHNICIAN IS  
AT YOUR SERVICE!  
PHONE +49 72 36-933 69 0



Illustration depicts: **Duplicator** #62100 with spacer sleeves. The illustrated Adesso Multisplit plate #10200-10 is not part of the scope of delivery.

## BASIC DUPLICATING CUVETTE DUPLICATING SYSTEM FOR HIGH-PRECISION AND COST-EFFECTIVE DUPLICATIONS

- Easy and quick to use
- The duplicating material adheres excellently in the former
- Extremely cost-efficient
- Very well-suited to long-term archiving, patient data can be directly noted on the former
- Sturdy and long-lasting cuvette base made of anodised aluminium

61000	Basic duplicating cuvette / starter set / cuvette base & 12 formers
61100-01	Basic duplicating cuvette / former / 1 pc.
61200	Basic duplicating cuvette / cuvette base / 1 pc.

## DUPLICATING TECHNOLOGY MORE TOPICAL THAN EVER BEFORE - THE VERTICULATOR PRINCIPLE

The Baumann Dental duplicator was developed as a universal and high-precision device for verticulating. The scope of application is virtually unlimited. Whether for the transfer of a wax-up to the master model, for general gnathological work for transferring occlusions, the splint technique, for non-prep partial crowns or even linings and remounts.

The duplicator is supplied with different spacer sleeves to adapt the device individually to the prevailing work requirements. The standardised receptacles in the bottom section also allow convenient installation of magnetic plates.

62100	Duplicator complete
62100-01	Duplicator / upper section



DO YOU HAVE ANY QUESTIONS?  
OUR CONSULTING TECHNICIAN IS  
AT YOUR SERVICE!  
PHONE +49 72 36-933 69 0

## WORKSHOP SERVICE & SPECIAL CONVERSIONS

Our workshop service is fast and cost-efficient. Regardless of whether it concerns the synchronisation or overhaul of articulators, or if special conversions for specific uses are required, we are pleased to help quickly and competently.

The conversion of scan fixators or articulators to all manner of magnetic plate systems is also part of our daily business. You will have your upgraded or converted devices back within only a few days.

### This is what we offer you in detail:

- Synchronisation of used and new articulators
- Repair service for all common types of articulators
- Integration of articulator extensions
- Conversion of scan fixators/articulators
- Customised products or special conversions
- And much more ...



Illustration depicts: **Special conversion** of a DDI CAR Freecorder\* BlueFox articulator with the following modifications:

- Retrusion graduation extended with two digital dial gauges
- Precision graduation for height and lateral adjustment
- Adesso Multisplit base plates in Artex<sup>1</sup> symmetry
- Special adapter for quick change to SAM<sup>2</sup> symmetry

DO YOU HAVE ANY QUESTIONS?  
OUR CONSULTING TECHNICIAN IS  
AT YOUR SERVICE!  
PHONE +49 72 36-933 69 0

## SALES & SERVICE

We have limited the product information in our catalogue to a few fundamental features and application tips. Comprehensive information is available from the corresponding brochures / instructions for use and the Internet at:

www.baumann-dental.de

**You would like individual consultancy on-site?**

**Call us at: +49 72 36-933 69 0**

## PRICING

Our prices are quoted in our separate price list. All prices are nett and given in euros (€). The current legally applicable VAT is charged extra. We deliver ex-works as a principle, e.g. plus postage and packaging.

- Quantity discounts / bulk prices are available upon request
- We grant a 3% cash discount for direct debit
- All prices subject to change Modifications and errors excepted.

## ORDERING DATA

The article number always refers to 1 piece.

Exceptions are pack units which are marked accordingly.

### Legal notices:

1 = *Artex, Splitex and Giroform* are registered trademarks of Amann Girschbach GmbH, 75177 Pforzheim, DE

2 = *SAM* is a registered trademark of SAM Präzisionstechnik GmbH, 82131 Gauting, DE

3 = *Kavo and Protar* are registered trademarks of Kaltenbach & Voigt GmbH, 88400 Biberach, DE

4 = *Zeiser* is a registered trademark of Zeiser Dentalgeräte GmbH, 71282 Hemmingen

5 = *Quicksplit* is a registered trademark of Hans Roßner & Sohn GmbH, 87700 Memmingen, DE

6 = *Hipmount and Headlines* are registered trademarks of R. Schöttl, 91052 Erlangen, DE

7 = *Dentatus* is a registered trademark of Dentatus International AB, Hägersten, SE

8 = *3Shape* is a registered trademark of 3Shape A/S, DK-1060 Copenhagen K, DK

*Adesso Split, Adesso Multisplit, Modellsystem 2000, Quadra Base, Arto, Combiflex and Connect* are registered trademarks of K. Baumann, 75210 Kelttern, DE

### General Terms & Conditions of Baumann Dental GmbH

#### § 1 Offers and placing of order

1.1 A contract is exclusively concluded upon our written confirmation or delivery of the goods that determine the content of the contract. Insofar as the contract is explicitly confirmed by Baumann Dental, the shipping of the goods applies as acceptance of the order.

1.2 Subsidiary agreements, amendments and additions to the contract must be confirmed in writing by us in order to be valid. The same applies to property guarantees and the waiving of the requirement for the written form.

#### § 2 Terms of payment, prices

2.1 The prices are understood to be in euros ex works excluding all incidental expenses and the statutory VAT, and are stated in euros. Goods directories and prices are always subject to change.

2.2 If the payment due date is exceeded, the customer is obliged to pay interest on the purchase price at the standard bank interest rate.

2.3 In the event of worsening of the financial status and/or the liquidity of the customer following conclusion of the contract, we are entitled to exercise our rights as per § 321 of the German Civil Code (BGB) or the right to withdraw from the contract, in whole or in part, as we choose.

#### § 3 Right of retention, assignment

3.1 The customer cannot refuse or withhold his services due to any counterclaims, or offset these with counterclaims, unless these counterclaims are uncontested by us in terms of their reason and extent, or are legally established.

3.2 The customer's claims against us can only be assigned with our consent.

#### § 4 Delivery time, exceeding of deadline

4.1 The delivery period begins when the customer receives our order confirmation.

4.2 The delivery time shall be considered observed if, by its expiration, the deliverable has left our company or the customer has been informed of its readiness for despatch.

4.3 The delivery period is extended as appropriate in the event of measures involving industrial action, particularly strikes and lock-outs, as well as upon the occurrence of unforeseen obstacles that lie beyond our will, insofar as such obstacles verifiably have an inherent influence on the completion or delivery of the deliverable. This also applies when these circumstances occur with suppliers. We shall also not be held responsible for the aforementioned circumstances if they occur during a delay that already exists. Any contractual penalty agreed does not apply as forfeited under these circumstances.

4.4 The observance of the delivery period presupposes the fulfilment of the customer's contractual obligations.

#### § 5 Passing of risk and acceptance, reporting and examination obligations, inspection

5.1 The risk passes at the latest with the shipping of the delivery parts to the customer, even if partial deliveries are made or we have assumed other services. Returns are made at the customer's risk.

5.2 Partial deliveries are permitted. § 8.1 takes priority.

5.3 The customer is to inspect the deliverable extensively immediately and report any defects, incorrect, excessive or insufficient deliveries, with proof, in writing at the latest within 10 days. The deliverable is considered approved once the period elapses. The burden of proof for hidden defects is borne by the customer.

5.4 Acceptance can only be refused due to considerable defects.

5.5 If the customer is in default with accepting the goods, we can, after setting a suitable period of notice of 14 days, withdraw from the contract or store the contractual goods at the risk and expense of the customer. Furthermore, we are entitled to auction the contractual goods following prior warning or sell the goods at the expense and for the account of the customer. The risk of accidental destruction or accidental deterioration of the contractual goods transfers to the customer at the time in which he becomes in default of acceptance.

#### § 6 Retention of title

6.1 We retain possession of the deliverable until repayment of all liabilities from the business relationship (also the future business relationship, including all outstanding balances from the current account).

6.2 The customer may undertake normal business operations and transfers to us, upon combination or mixing with other transactions, the proportionate joint ownership of the new item. Upon sale, the customer assigns to us his purchase price claim in accordance with our joint ownership share in advance as security, amounting to our invoice sum. The assignment shall be accepted by us.

6.3 In the event of conduct on the part of the customer that is in breach of the contract, in particular upon default in payment, we are entitled to withdraw the product following warning and the customer is obliged to surrender it. The exercising of retention of title and the seizure of the deliverable by us do not apply as a withdrawal from the contract, insofar as the instalment payment law does not apply.

#### § 7 Liability for delivery deficiencies

For delivery deficiencies, which also include the lack of explicitly ensured properties, we are liable, to the exclusion of further claims without prejudice to section 8 as follows if the deliverable is not approved as per section 5.3.

7.1 All such parts are to be repaired or redelivered as we see fit free of charge if they verifiably display a defect that is our responsibility within 6 months from delivery and this defect has been reported to us immediately in writing. Replaced parts become our property. For significant third-party products, our liability is restricted to the assignment of the liability claims to which we are entitled against our suppliers.

7.2 No guarantee is granted for damages that are the result of the following: natural wear and tear, improper use, defective mounting or commissioning or handling, insofar as they are not attributable to our fault.

7.3 To undertake all of the repairs and replacement deliveries we consider appropriate as per our obligation, the customer is to provide us with the necessary time and opportunity with our agreement, otherwise we are relieved of liability for defects.

7.4 The warranty for the replacement part and repair amounts to 3 months, although it shall extend at least until expiration of the original warranty for the delivered item.

7.5 In the event that the customer or third party improperly undertakes amendments or repair work without our prior consent, no liability is accepted for the consequences of this.

7.6 Additional claims of the customer, particularly a claim to compensation for damages that do not occur to the deliverable itself, are excluded.

#### § 8 Right of the customer to withdrawal and other liability

8.1 The customer can withdraw from the contract if it is ultimately impossible for us to render the entire performance before the passing of risk. The same applies in the event of our inability. The customer can also withdraw from the contract if, upon ordering the same type of items, the execution of part of the delivery becomes impossible in terms of quantity or he has a legitimate interest in the rejection of a partial delivery; the customer can thus correspondingly reduce the return service following mutual agreement.

8.2 If the impossibility occurs during the default in acceptance or due to the fault of the customer, the customer remains obliged to render a return service.

8.3 The customer has a right to withdraw if we allow a suitable grace period set by us for the performance of repairs or replacement deliveries with regard to a defect for which we are responsible, within the meaning of the delivery conditions, to elapse three times through our fault. The customer's right to withdraw also exists in other cases where we fail three times to provide a repair or replacement delivery.

#### § 9 Copyright

9.1 Our drafts, samples, models, tools and similar are our intellectual property and may neither be imitated nor used in any other way for replication by the customer, even if no particular protective rights exist in this regard, nor are they to be given to third parties for free or for a fee, or used in any other manner than that stated as part of the agreement.

9.2 The customer is liable in the event of ordering according to the customer's requirements (including drawing, samples). In this case, trademark rights are not infringed upon.

#### § 10 Place of jurisdiction, law, scope of validity for the GT & Cs

10.1 German Law applies. Place of fulfillment are the registered offices of Baumann Dental GmbH.

10.2 Any conflicting terms and conditions are invalid, even if the subject matter is not governed in these terms and conditions.

#### § 11 International business

The following provisions shall apply in addition to international transactions:

1. All transactions are subject to German Civil and Commercial Law. The provisions of international private law are expressly excluded.
2. Deliveries abroad are subject to advance payment.
3. Deliveries are made according to INCO Term 2010 EXW Kelttern.
4. In the event of a warranty claim, service is performed following consultation with Baumann Dental.
5. Any incurred customs duties and bank charges are at the expense of the customer.

#### § 12 Effectiveness of the provisions

If individual provisions are or become ineffective, or if the conditions contain a loophole, the legal effectiveness of the other provisions is not affected. In place of the ineffective provisions, a provision is regarded as being agreed which comes closest economically to the intended purpose of the provision, the same applies in case of a loophole.



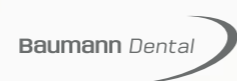


inside back cover

Продукцию Вауманн в Украине можна  
приобрести в компании  
**"Премьер-Дентал"**  
ул. Варшавская, 69 "Б"  
Львов, 79020

+38 032 259 04 40  
+38 044 222 85 53  
+38 097 445 66 73  
+38 099 533 10 95  
+38 093 427 68 79

premier@dental.net.ua  
www.premier-dental.com.ua



Baumann Dental GmbH  
Frankenstraße 25  
D-75210 Kelttern

info@baumann-dental.de  
www.baumann-dental.de

Phone +49 72 36-933 69 0  
Fак +49 72 36-933 69 99

**Managing Directors**  
Karsten Baumann  
Gerhard Buchenroth  
Wolfgang Dawedeit

**Bank connection**  
BW BANK  
BIC: SOLADEST600  
IBAN: DE35 600 501 01 000 497 13 55

**Catalogue design**  
Alexander Kassel  
Creative Director  
Baumann Dental GmbH

**Illustration**  
Hanna Schönwald



ПРЕМ'ЕР ДЕНТАЛ

